



2011 Mustang GT Supercharger Kit(s)

P/Ns: M-6066-MGT525D
M-6066-MGT525PD
M-6066-MGT624D
M-6066-MGT624PD

Installation Instructions



Application:

2011 Ford Mustang GT with 5.0L 4-Valve Engines w/ Manual Transmissions

Important Notes:

- Before installing the Ford Racing Mustang Supercharger Kit, please register this product by following the steps listed on the green voucher card included with the kit. **PRODUCT REGISTRATION IS REQUIRED** to receive the ProCal II flash tool used to recalibrate the vehicle PCM. Operating the engine without the PCM recalibration will result in engine damage or failure and will **VOID THE WARRANTY**.
- Premium fuel (91 octane or higher) is required to prevent "spark-knock" or detonation under certain operating conditions.
- The use of fuel additives (ie. octane boosters) is not recommended. There is a possibility that these chemicals can damage your engine and cause drivability issues with your vehicle.
- The installation of the Ford Racing Supercharger kit requires customers to remove and re-gap the factory spark plugs for optimum performance.
- Please read the installation manual carefully and verify that all items are present. If you are missing hardware or have any questions, please contact the Ford Racing Call Center at 1-(800) 367-3788.



TABLE OF CONTENTS

PACKAGING LIST FOR COMPLETE SUPERCHARGER KIT	3
EQUIPMENT AND SUPPLIES REQUIRED	6
GLOSSARY OF TERMS.....	7
INFORMATION ABOUT THE SUPERCHARGER BYPASS OPERATION.....	7
LIMIT OF LIABILITY STATEMENT	8
SAFETY PRECAUTIONS	8
SECTION A – DISASSEMBLY	9
SECTION B – MODIFICATIONS.....	17
Airbox Modification	17
Front Cover Modification	18
TPS/ETC Wiring	22
Canister Purge Valve Wiring.....	24
Intercooler Pump Wiring.....	26
Air Charge Temperature (ACT) Wiring	28
Mass Air Flow (MAF) Wiring.....	30
Knock Sensor Orientation Adjustment.....	31
Re-Gapping the Factory Spark Plugs for Optimum Performance	31
SECTION C – SUBASSEMBLY.....	32
Intercooler Low Temperature Radiator (LTR).....	32
Intake Manifold Build Up	35
Evaporative Emission Canister Purge Valve Relocation	36
Fuel Rail Assembly.....	37
SECTION D – INSTALLATION.....	38
Intercooler Reservoir Mounting.....	38
Intercooler Radiator Assembly Mounting.....	39
Electric Water Pump, Mounting Bracket and Hoses.....	40
Induction Resonance Tube Delete Grommet.....	45
Intake Manifold and Supercharger Installation	46
FEAD Assembly.....	54
Coolant Hoses.....	59
Air Induction System	62
Final Assembly.....	64



PACKAGING LIST FOR COMPLETE SUPERCHARGER KIT

Part Ref	Description	FRPP Part Number	Qty
	Air Induction	---	
1	Upper Airbox Lid	13119643NLHC	1
2	Clean Air Tube	13119B659	1

Part Ref	Description	FRPP Part Number	Qty
	Hardware Kit A – Induction	13116066FRTHKA	1
3	Hose Clamp (Airbox side)	R07130015	2
4	Grommet – Induction Resonance Tube Delete	W651016	1
5	Vacuum Fitting – S/C Bypass Reference	383004-S	1
6	Vacuum Cap – ¼”	CS515	1

Part Ref	Description	FRPP Part Number	Qty
7	Fuel Charging Assembly	13119H487	1
8	Fuel Rail	13119F792	1
9	Throttle Body Assembly	R07060150	1

Part Ref	Description	FRPP Part Number	Qty
	Hardware Kit B – Fuel Charging	13116066FRTHKB	1
10	Fuel Injectors Kit	M-9593-LU47ROU	1
11	Fuel Injector Clip	1311-9C995	8
12	Gasket – Throttle Body To Spacer	R07060153	1
13	Bolt – Throttle Body (M6 x 32.5)	R18020009	4
14	Bolt – Intake to Cylinder Heads (M6 x 40)	R18020004	6
15	Bolt – Evaporative Emission Canister Valve to Spacer (M6 x 35.5)	N808429	2

Part Ref	Description	FRPP Part Number	Qty
	FEAD	---	
16	Upper FEAD Bracket	13118B653U	1
17	FEAD Tensioner Bracket Assembly	13118B603	1
18	Serpentine FEAD Belt	K060825	1

Part Ref	Description	FRPP Part Number	Qty
	Hardware Kit C – FEAD	13116066FRTHKC	1
19	Pulley - Idler B/S 76mm	900873	2
20	Bolt – Idler (M8 x 28 large washer)	R18020060	2
21	Bolt – Upper FEAD to Engine and Intake (M8 x 84)	W704752	2
22	Bolt – Lower Bracket to Upper Bracket (M8 x 41)	W705128	1
23	Bolt – Lower Bracket to Engine (M8 x 123)	R18020055	2



Part Ref	Description	FRPP Part Number	Qty
	PCV & Vacuum	---	
24	PCV Fresh Air Inlet	13116758	1
25	PCV Purge Hose with Bubbler	13116K817	1
26	Evaporative Emission Canister Purge Valve Line	BR3V-9G271-CB	1

Part Ref	Description	FRPP Part Number	Qty
	Wiring	---	
27	Electrical Jumper – Intercooler Pump	13118W501	1
28	ACT Wiring Harness	131112A690	1
29	TPS Extension Harness	131114A595	1
30	Canister Purge Valve Extension Harness	13119G866	1
31	MAF Extension Harness	131112B579W	1

Part Ref	Description	FRPP Part Number	Qty
32	Decal – 2011 Belt Routing Diagram	13116E072	1
33	Installation Manual	1311-12193FRT	1

Part Ref	Description	FRPP Part Number	Qty
	Intercooler System	---	
34	Degas Bottle	13108D080	1
35	Intercooler Electric Water Pump with Bracket	392022009	1
36	Bracket - Intercooler Pump Mounting	13108C419	1
37	Intercooler Low Temp Radiator (LTR)	13108K229	1
38	3/4" Hose – Degas Bottle Inlet	13118D031	1
39	3/4" Hose – Intercooler Pump Inlet	13108D029	1
40	3/4" Hose – Intercooler Pump to LTR	13108K236	1
41	3/4" Hose – Intercooler LTR Outlet	13118D030	1
42	3/8" Hose – Engine Bottle Degas Hose	13118276	1
43	Side Shield – Radiator Assembly – LH	1310010207LH	1
44	Side Shield – Radiator Assembly – RH	1310010207RH	1



Part Ref	Description	FRPP Part Number	Qty
	Hardware Kit E – Intercooler System	13116066FRTHKE	1
45	Bracket – LTR Upper LH	13108K242	1
46	Bracket – LTR Upper RH	13108K243	1
47	Bracket – LTR Lower LH	13108K244	1
48	Bracket – LTR Lower RH	13108K245	1
49	Rubber Grommet – LTR Isolator	R07060107	4
50	Sleeve – LTR Isolator	R07060108	4
51	Degas Bottle Cap	9C3Z-8101-B	1
52	Clamps – 3/4" Hoses (Constant Tension)	CT19x12-BO	8
53	Bolt – Long Bumper Bolts (M8 x 35)	R18020007	2
54	Bolt – LTR to Brackets (4) & I/C Pump to Bracket (2) (M8 x 25)	W500224	6
55	Nut – I/C Pump Mounting Bracket to Bumper Bolts (M8)	W520413	4
56	Bolt – Degas Bottle Mounting & LTR Bracket to Chassis (M6 x 22)	R18020057	4
57	J-Clip – Degas Bottle & Pump Bracket Mounting (M6 Short)	N623332	1
58	NVH Isolator – I/C Pump to Bumper Beam	13108Z419	1
59	NVH Isolator – I/C Pump to LTR	13108Y419	1
60	Nut – Wiring Relay to Chassis (M6)	W520412	1

Part Ref	Description	FRPP Part Number	Qty
	Miscellaneous Parts	---	
61	Supercharger (includes pulley & pulley bolts)	NPN	1
62	Throttle Body Spacer	NPN	1
63	Gasket – Throttle Body Spacer to Supercharger	NPN	1
64	Supercharger Bypass Actuator Hose	NPN	1
65	Oil – Supercharger	NPN	1
66	Bolt – Supercharger to Intake and Spacer to Supercharger	NPN	14
67	Registration/Warranty Voucher (Green)	NPN	1
68	Decal – Premium Fuel (Cluster)	NPN	1
69	Decal – Premium Fuel (Fuel Fill Door)	NPN	1
70	Sleeve – Heater Hose	NPN	2

If you are missing any items, please call us toll free at 1-800-FORD788.



EQUIPMENT AND SUPPLIES REQUIRED

- 1/4" and 3/8" Drive Ratchets with Extensions
- Metric and Standard Socket Sets (short and deep recommended)
- 1/2" Drive Ratchet or Breaker Bar
- Metric and Standard Wrench Sets
- 3/8" Drive Torque Wrench (7-35 ft-lb range)
- Short Phillips-head Screwdriver
- 5/8" Fuel Line Removal Tool
- T-20 Torx Bit Screwdriver or Socket
- 5/16" Drill Bits and Drill motor
- Coolant (meeting Factory Ford specification for 2011 Mustang GT)
- 6" Scale, Tape Measure, or Other Measuring Device
- Assembly Lubricant (White Lithium Grease or Petroleum Jelly)
- Electrical Tape
- Sharp Knife or Razor Blade
- Solder & Soldering Iron
- Heat Gun or Small Torch for Heat Shrink Tubing
- Tie Straps (Zip Ties)
- Trim Pad Tool (for pushpin removal)
- Fender Cover (2)
- Medium Strength Thread Locker – Loctite 242 (blue) or equivalent



GLOSSARY OF TERMS

ACT	Air Charge Temperature Sensor (From the factory, this function is integrated into the MAF sensor. With this kit, a separate ACT sensor is installed into the intake manifold)
ETC	Electronic Throttle Control
MAFS	Mass Air Flow Sensor
PCM	Powertrain Control Module (a.k.a. ECM, ECU, PCU, EEC)
PCV	Positive Crankcase Ventilation
TPS	Throttle Position Sensor
VMV	Vapor Management Valve (aka Canister Purge Valve)
Breakout Point	A place in an electrical harness where the wiring for an individual component leaves (breaks out of) the main harness to attach to an individual component.

INFORMATION ABOUT THE SUPERCHARGER BYPASS OPERATION

There is a great deal of misinformation about the function of supercharger bypass systems. The supercharger is a positive-displacement pump; that is, so long as it is rotating, it is always pumping air. During low demand or high vacuum operation (i.e. idle, deceleration, and light throttle cruise), the pumping action is undesirable as it creates unwanted heat and noise. The bypass circuit, when open, prevents any pressure buildup across the supercharger and allows air to circulate through the rotors, allowing the supercharger to "idle" freely during these conditions. This results in reduced noise, and by reducing heat buildup in the intake, significantly improves street and strip performance. As throttle demand increases, the bypass circuit is closed, resulting in full performance from the supercharger. The bypass circuit is never used to limit or control boost during full-throttle operation and defeating or altering the bypass function will not result in improved performance in any condition, and will result in poor drivability.



LIMIT OF LIABILITY STATEMENT

The information contained in this publication was accurate and in effect at the time the publication was approved for printing and is subject to change without notice or liability. Ford Racing Performance Parts reserves the right to revise the information presented herein or to discontinue the production of parts described at any time.

SAFETY PRECAUTIONS

STOP! CAREFULLY READ THE IMPORTANT SAFETY PRECAUTIONS AND WARNINGS BEFORE PROCEEDING WITH THE INSTALLATION!

Appropriate disassembly, assembly methods and procedures are essential to ensure the personal safety of the individual performing the kit installation. Improper installation due to the failure to correctly follow these instructions could cause personal injury or death. Read each step of the installation manual carefully before starting the installation.


- ! Always wear safety glasses for eye protection.
- ! Place the ignition switch in the OFF position.
- ! Always apply the parking brake when working on the vehicle.
- ! Block the front and rear tire surfaces to prevent unexpected vehicle movement.
- ! Operate the engine only in well-ventilated areas to avoid exposure to carbon monoxide.
- ! Do not smoke or use flammable items near or around the fuel system.
- ! Use chemicals and cleaners only in well-ventilated areas.
- ! Batteries can produce explosive hydrogen gas which can cause personal injury. Do not allow flames, sparks or flammable sources to come near the battery.
- ! Keep hands and any other objects away from the radiator fan blades.
- ! Keep yourself and your clothing away from moving parts when the engine is running.
- ! Do not wear loose clothing or jewelry that can be caught in rotating or moving parts.




SECTION A – DISASSEMBLY

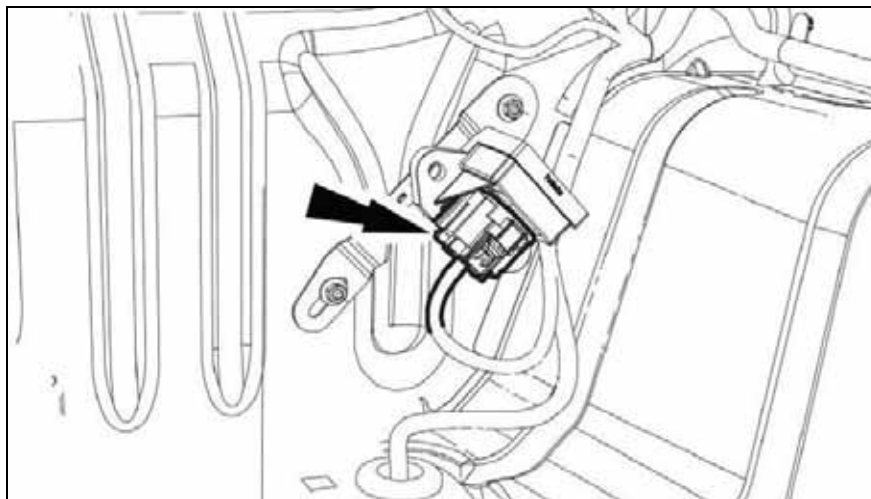
The following section will guide you through the disassembly of the stock components. Special care should be taken to label fasteners and parts that are taken off during this procedure since many will be reused:

1. Cover both fenders with fender covers to protect the vehicle finish.
2. Release the fuel system pressure (**NOTE:** The following procedure is taken directly from the Ford Service Manual).

 **WARNING:** Fuel in the fuel system remains under high pressure even when the engine is not running. Before working on or disconnecting any of the fuel lines or fuel system components, the fuel system pressure must be relieved. Failure to do so can result in personal injury.

 **WARNING:** Do not smoke or carry lighted tobacco or open flame of any type when working on or near any fuel-related components. Highly flammable mixtures are always present and can be ignited, resulting in personal injury.

- a. Disconnect the Fuel Pump Control Module electrical connector.
NOTE: The Fuel Pump Control Module is located in the spare tire stowage compartment.

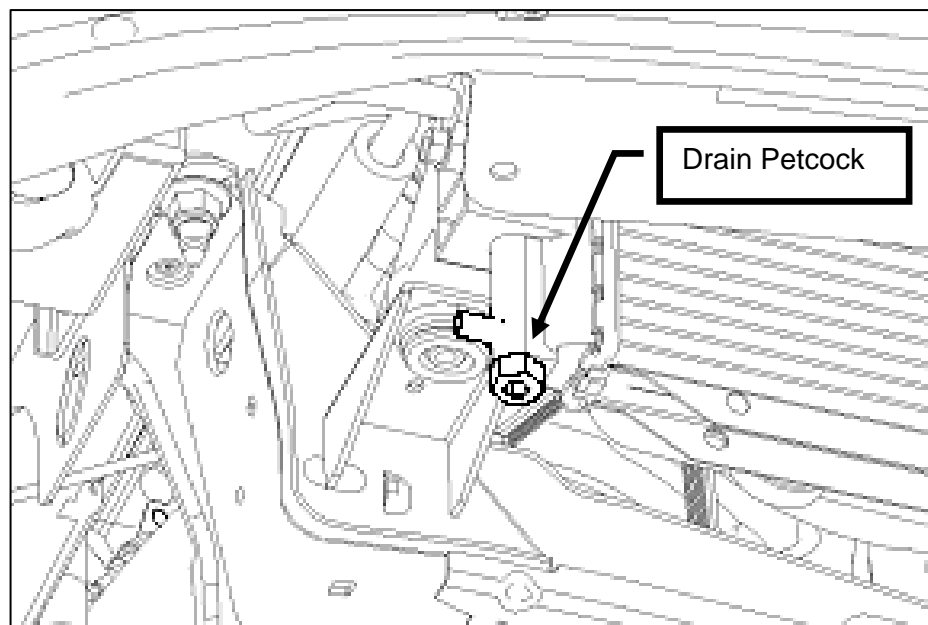


- b. Start the engine and allow it to idle until it stalls.
- c. After the engine stalls, crank the engine for approximately 10 seconds to make sure the fuel injector supply manifold pressure has been released.
- d. Turn the ignition switch to the OFF position.



3. Using an 8mm wrench, disconnect the (-) negative & (+) positive connections to the battery.
4. Remove the (8) push pin retainers by pulling the center pin and remove the radiator trim cover.
5. Raise the front of the vehicle using the Ford recommended lifting points and place onto safety stands. With the tires lifted off of the ground, remove the front wheels. Remove the (3) forward Phillips-head screws from each front wheel liner. Using a Phillips-head screwdriver, turn the (5) inner fender push pins $\frac{1}{4}$ turn to release the centers. Remove the pushpins and then remove the forward inner fenders.
6. Remove the (3) lower close-out to radiator support screws (7mm socket). Remove the (2) upper bumper cover screws near the headlights (10mm socket). Remove the (4) front fender to bumper cover nuts inside the forward wheel well (10mm socket). Reach inside the front wheel wells and unplug the front turn signals. Lift the front bumper cover slightly and pull partially off of the vehicle. Unplug the fog lights and set the front bumper cover aside.
7. Remove the (4) push pins that retain the impact absorber to the front bumper beam and set the absorber aside.
8. Carefully remove the radiator / cooling module side shields that are mounted to the left & right hand side of the A/C Condenser. Note: The LH shield engages the air inlet system.
9. With the engine cool, remove the cap on the engine coolant degas bottle and drain the coolant using the petcock located on the lower passenger side of the radiator.

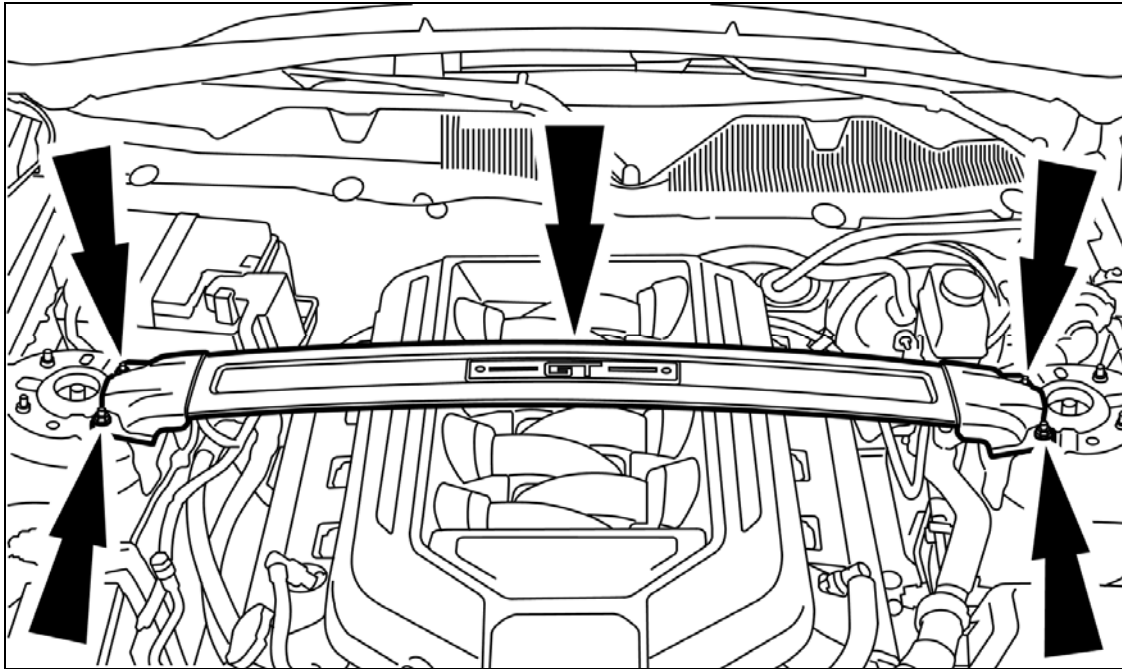
TIP: Connect a $\frac{3}{8}$ " hose to the drain fitting next to the petcock and run into a clean drain pan or bottle. Use a $\frac{3}{4}$ " wrench to open petcock and allow coolant to drain out of the fitting.



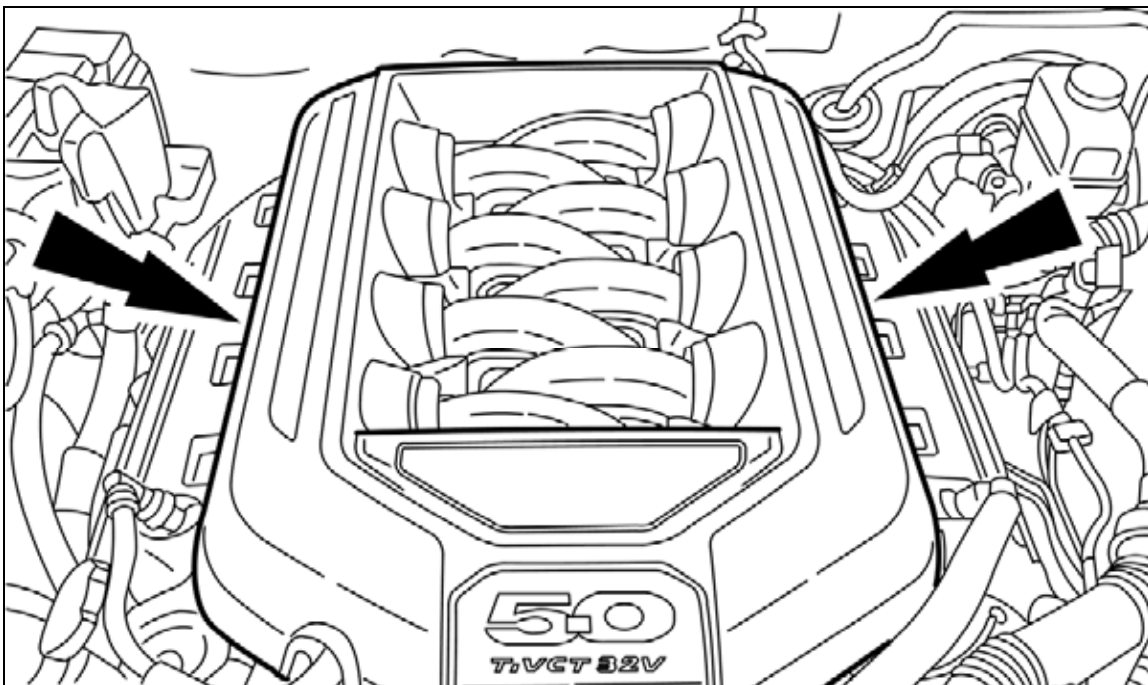


RACING
PERFORMANCE PARTS

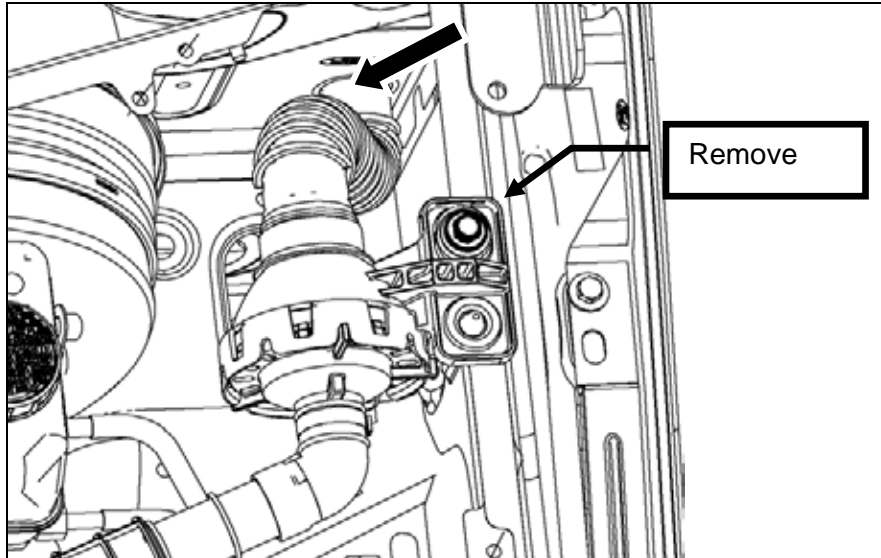
10. If equipped, remove the (4) nuts and the strut tower cross brace. Reinstall the (4) nuts and torque to 35Nm. The strut tower cross brace cannot be reused after the supercharger has been installed.



11. Remove the engine appearance cover. The cover cannot be reused after the supercharger has been installed.

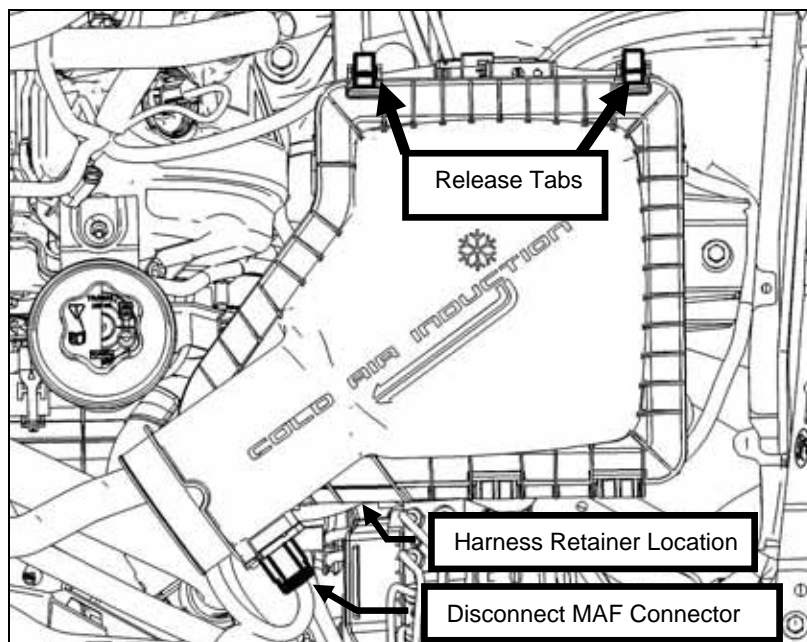


- Remove the M6 bolt that secures the induction resonance tube to the driver side fender near the cowl. Remove the tube from the cowl.



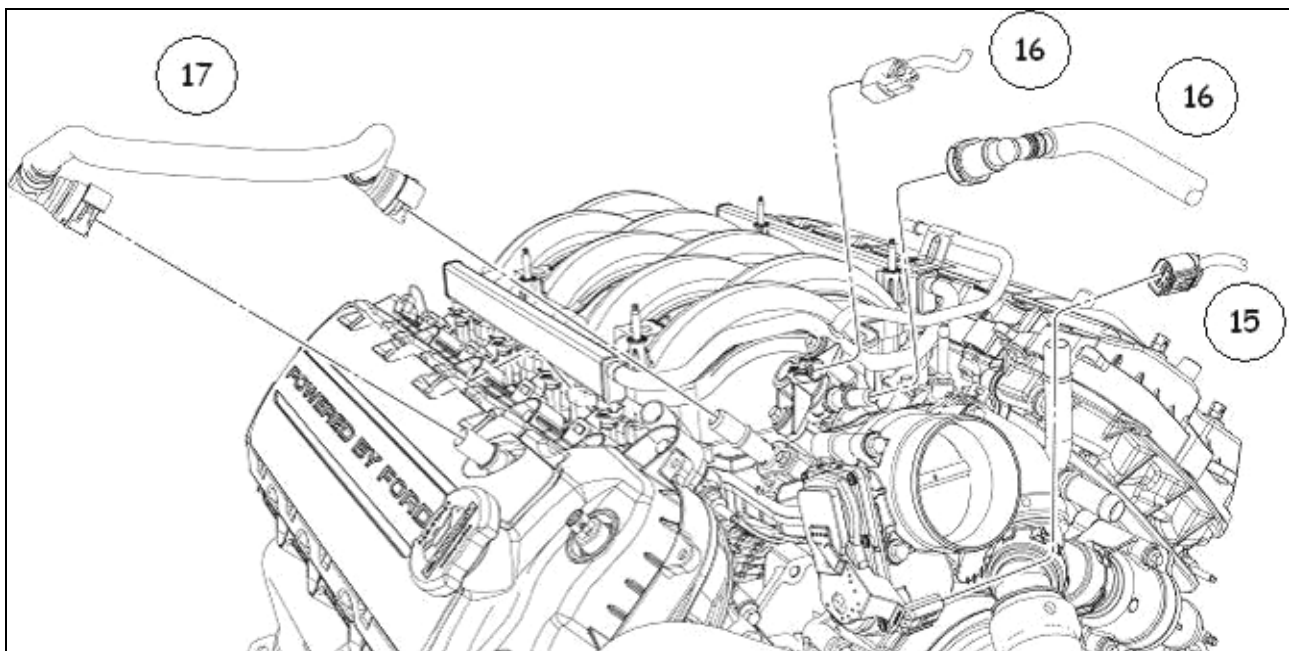
- Disconnect the PCV Fresh Air Inlet tube from the left-hand cam cover and clean air tube. Remove the clean air tube from the throttle body and airbox. Remove the clean air tube and the induction resonance tube from the vehicle. Neither of these components will be reused.

- Remove the MAF (mass air flow) sensor connector by pulling the red locking tab back and pressing the black release tab. Release the locking tabs securing the upper airbox lid to the lower airbox. Disconnect the MAF wiring harness retainer from the front edge of the upper airbox lid and remove the lid from the vehicle. The airbox lid will not be reused.





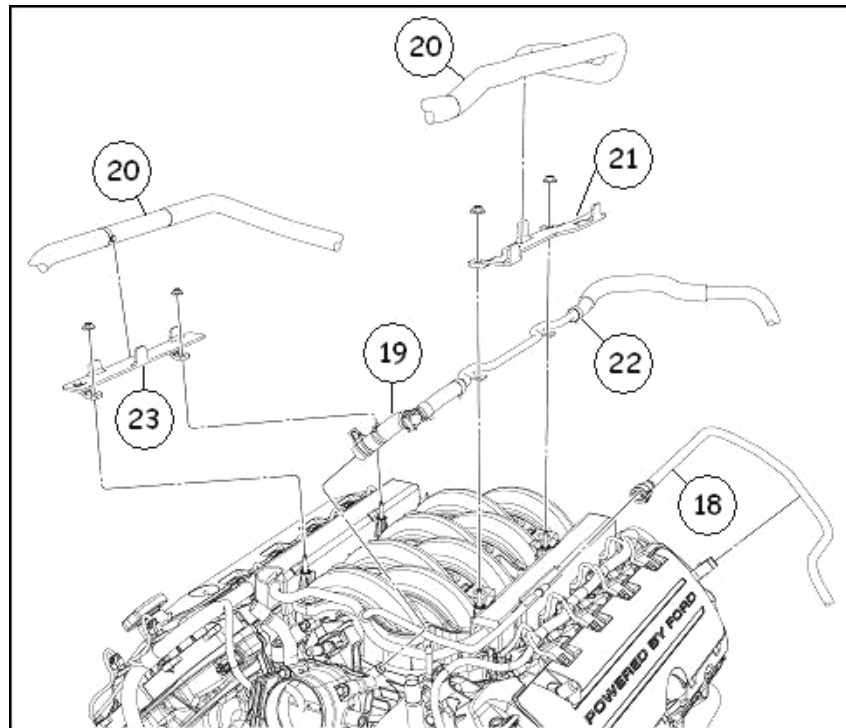
15. Disconnect the throttle body electrical connector. (Pull the red locking tab back; press the black release tab to disengage the lock). Refer to #15 in figure shown below.
16. Disconnect the VMV (evaporative emission canister purge valve) tube and electrical connector. Remove the VMV tube retainer from the front left hand cam cover. Disconnect the remainder of the tube at the fitting located behind the inner fender below the brake booster. This tube will not be reused. Refer to #16 in figure shown below.
17. Remove the PCV Purge line from the intake manifold and right-hand cam cover. This line will not be reused. Refer to #17 in figure shown below.



Procedures #15 - 17

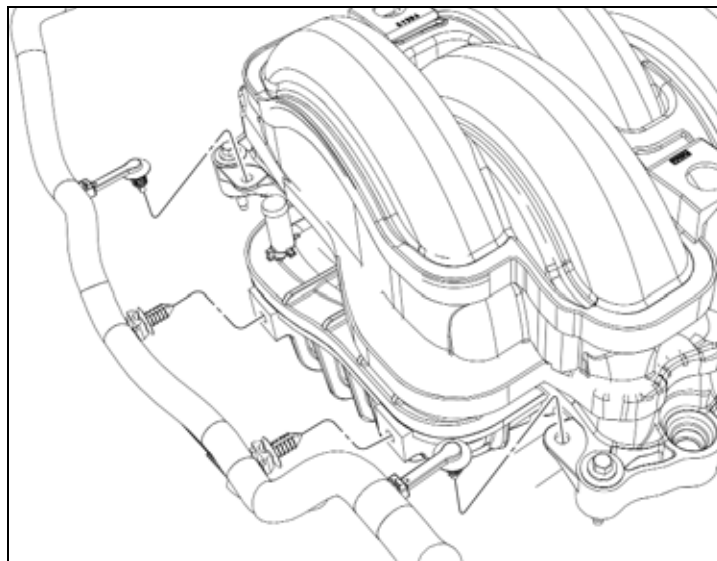
18. Disconnect the fuel supply hose from the fuel rail. Refer to #18 in figure shown below.
19. Disconnect the brake booster vacuum hose from the intake manifold. This port is located directly behind the throttle body. Refer to #19 in figure shown below.
20. Disconnect the heater feed and return hoses located at the front of both the LH and RH cylinder head intake flanges. Position these hoses aside by tucking them up underneath the edge of the hood near the windshield wipers. Refer to #20 in figure shown below.
21. Remove the (2) nuts and support bracket that retained the RH heater hose above the RH fuel rail. This hardware will not be reused. Refer to #21 in figure shown below.
22. Remove the steel section of the brake booster vacuum line from the rubber hose at joint found at the rear of the intake manifold. Discard the steel and forward rubber section of this assembly as it will not be reused. Refer to #22 in figure shown below.

23. Remove the (2) nuts and support bracket that retained the LH heater hose above the LH fuel rail. This hardware will not be reused. Refer to #23 in figure shown below.

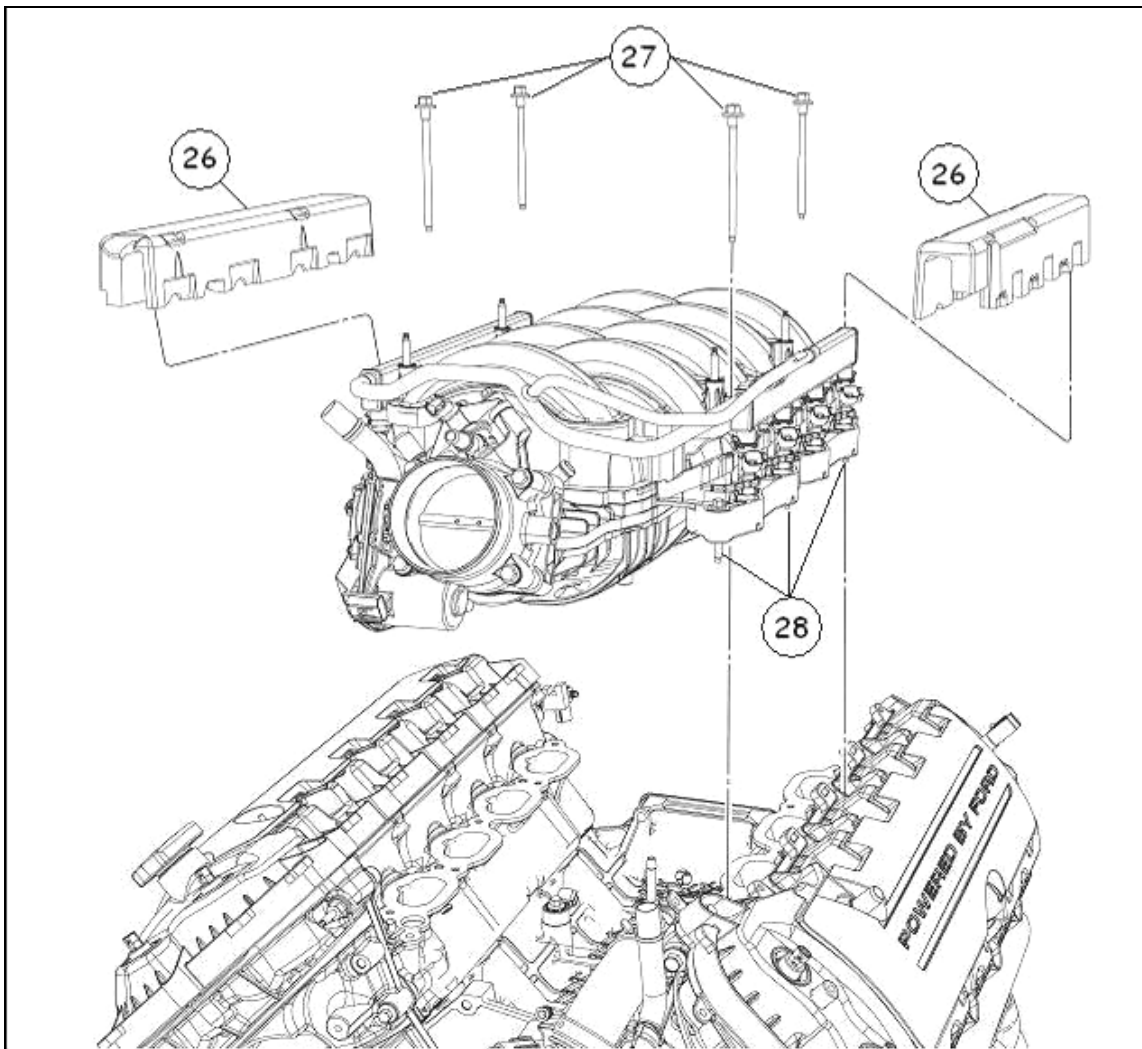


Procedures #18 - 23

24. Remove the 3/8" engine coolant degas hose from both the engine and the degas bottle.
25. Carefully detach the (4) wiring harness retainers from the rear of the intake manifold. The two "outer" clips will be reused once the new manifold is installed to retain the harness.



26. Remove and discard the LH and RH fuel rail insulators. Disconnect the (8) fuel injector electrical connectors.
27. Remove the (4) fuel rail bolts. **These bolts will be reused.** **NOTE:** It is not necessary to remove the fuel rail from the intake manifold assembly.
28. Remove the (6) intake manifold mounting bolts and remove the intake manifold and fuel rail assembly from the vehicle. This hardware will not be reused.

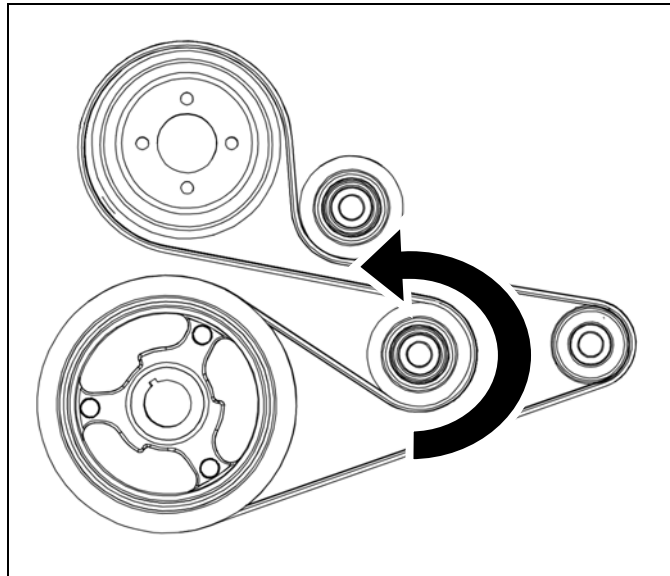


Procedures #26 – 28

29. Clean the intake mounting surfaces and apply tape over the open intake ports to prevent engine contamination.



30. Remove the engine coolant degas bottle.
31. Remove the Front End Accessory Drive (FEAD) belt. Rotate the FEAD Tensioner counter-clockwise to release the belt tension and remove the belt.



32. Remove the (4) bolts securing the Water Pump Pulley to the engine
33. Cut and remove the A/C compressor belt. Discard belt.
34. Remove the upper radiator hose.
35. Remove the electric fan and shroud assembly from the vehicle.
36. Unclip the engine electrical harness retention clips that retain the engine harness to the top corners of the right hand (passenger side) front cover.

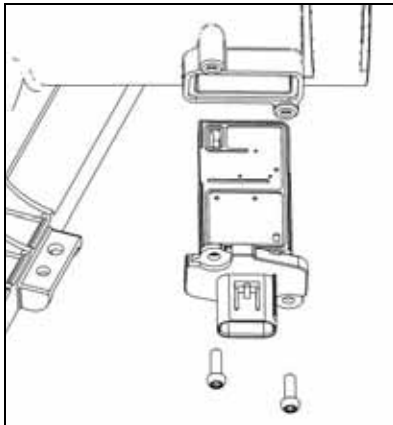


SECTION B – MODIFICATIONS

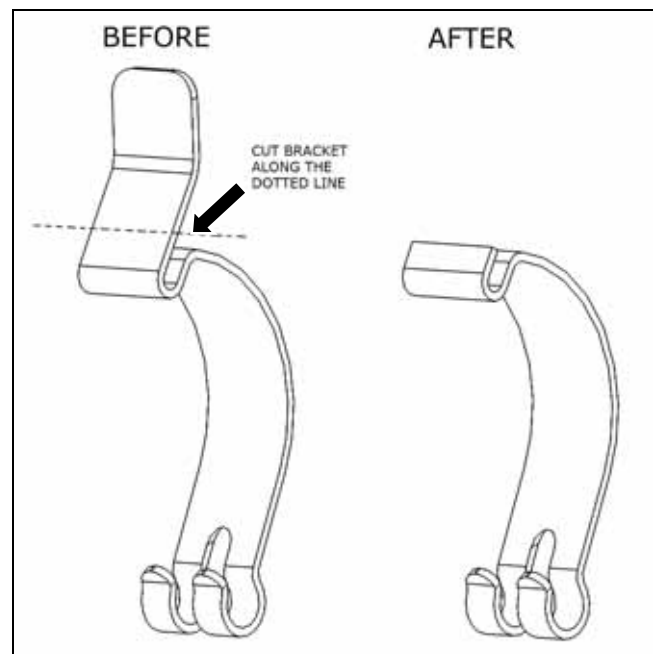
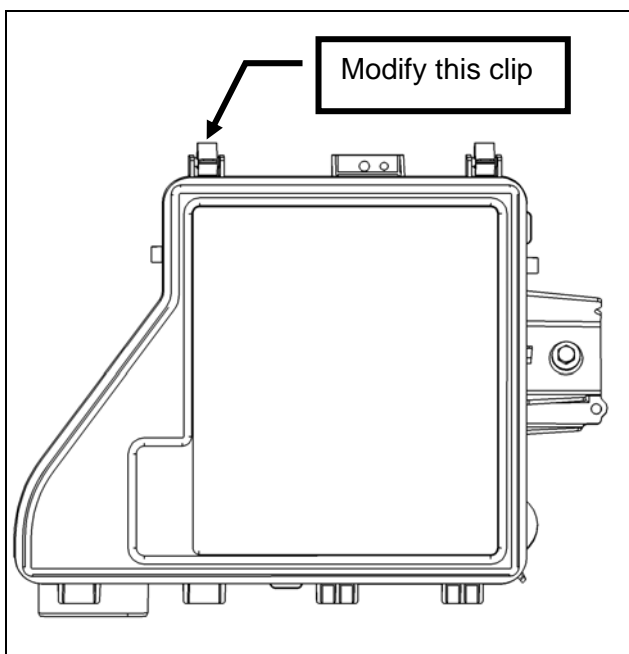
The following section will guide you through the required modifications of existing components and build up of the assemblies used to complete the installation. With the exception of the wiring modifications and intercooler pump bracket mounting, all of this work can be performed away from the vehicle.

Airbox Modification

1. Remove the MAF sensor from the stock airbox cover and install into the new upper airbox lid (13119643NLHC) using the two factory fasteners. Torque screws to 1.8 – 2.2 Nm.



2. In order for the new airbox lid to be secured to the lower airbox tray properly, the inboard retaining clip needs to be modified. Remove the inboard clip from the tray and use a saw or grinder to remove part of the clip as shown. Deburr all sharp edges.



Front Cover Modification

1. Using a grinder or cut off wheel, modify the front cover in the areas shown. Two bosses, labeled Mod Section #1 below, need to be reduced in height such that they are flush, or lower, than the height of the nearby rib structure (see Figures 1 and 2). The boss labeled "Mod Section #2" needs to be modified as shown in Figure 3. The remaining areas labeled "Mod Section #3" are portions of the rib structure which need to be removed completely (cut flush to the surface of the front cover). Refer to figure 4. Be careful not to remove too much material in these areas as permanent damage to the front cover could occur.

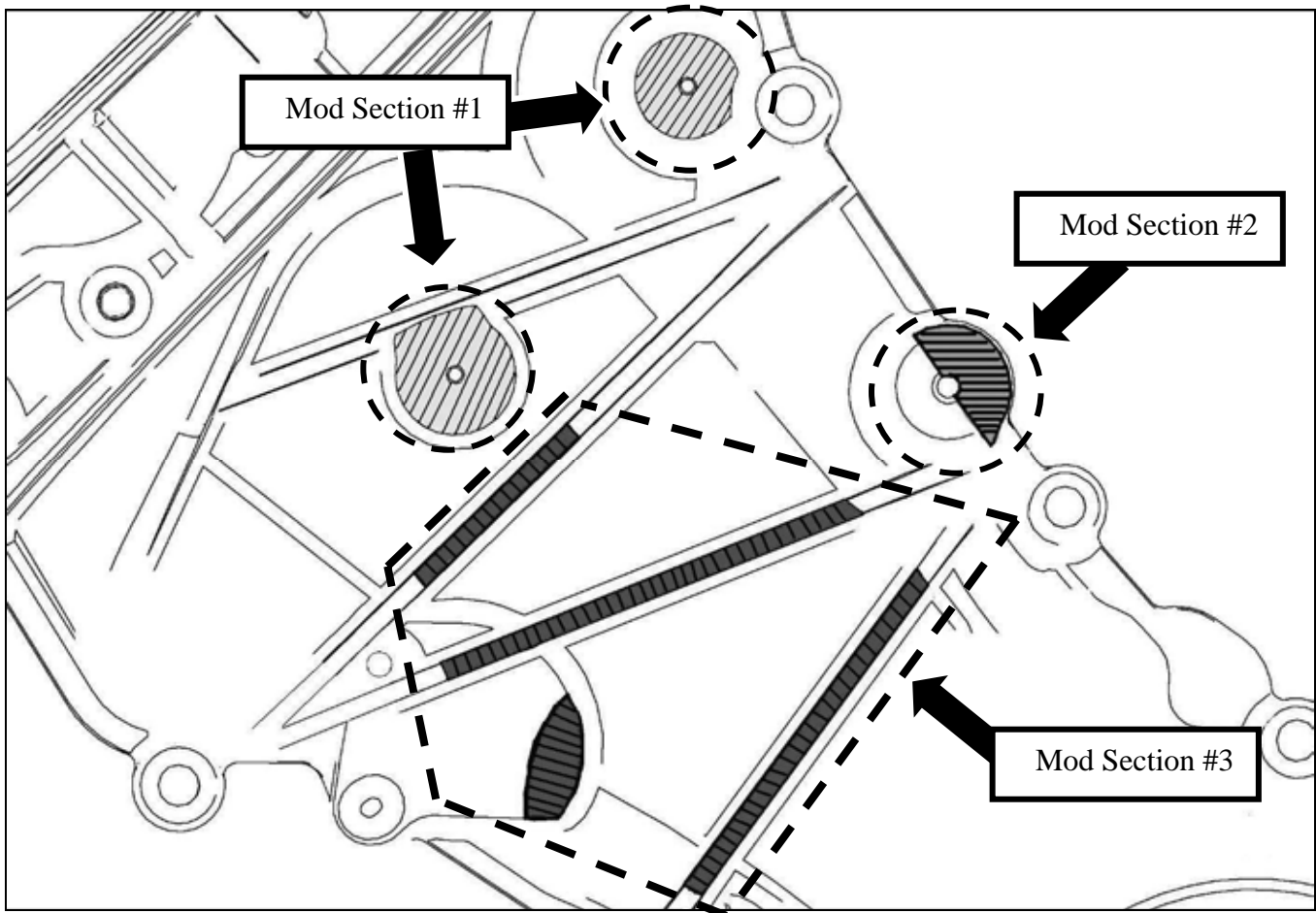


Figure 1



RACING
PERFORMANCE PARTS

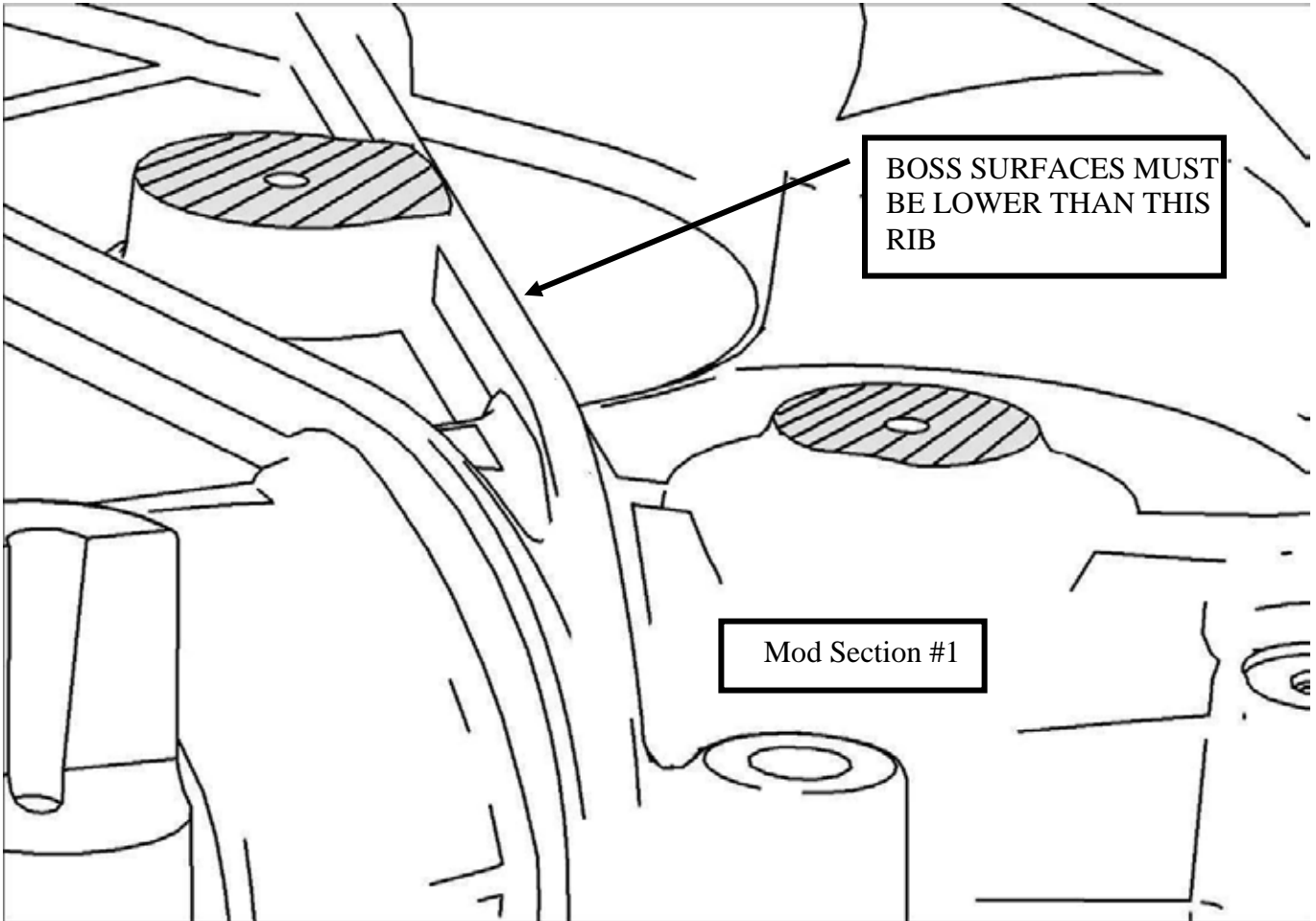


Figure 2



RACING
PERFORMANCE PARTS

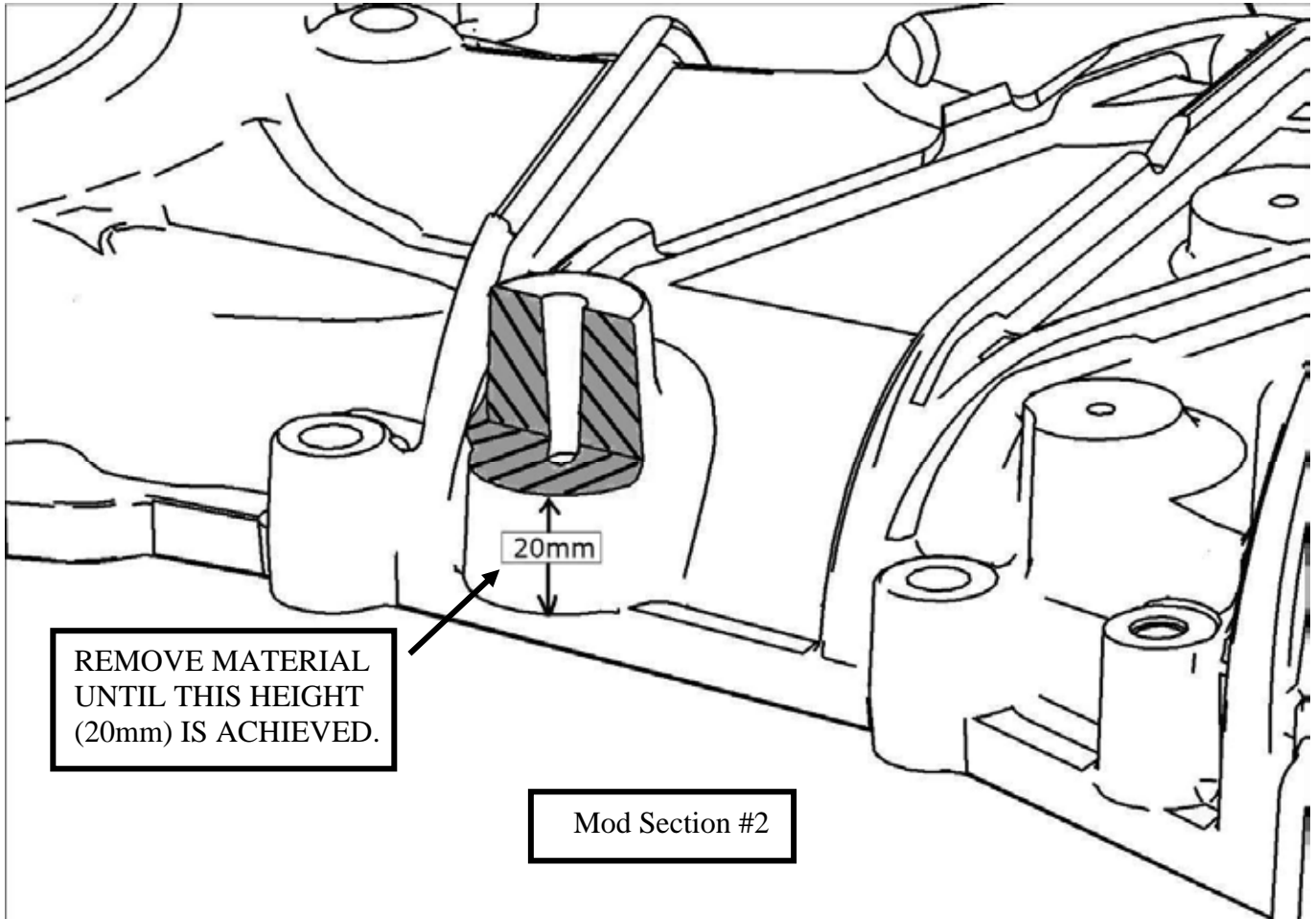


Figure 3



RACING
PERFORMANCE PARTS

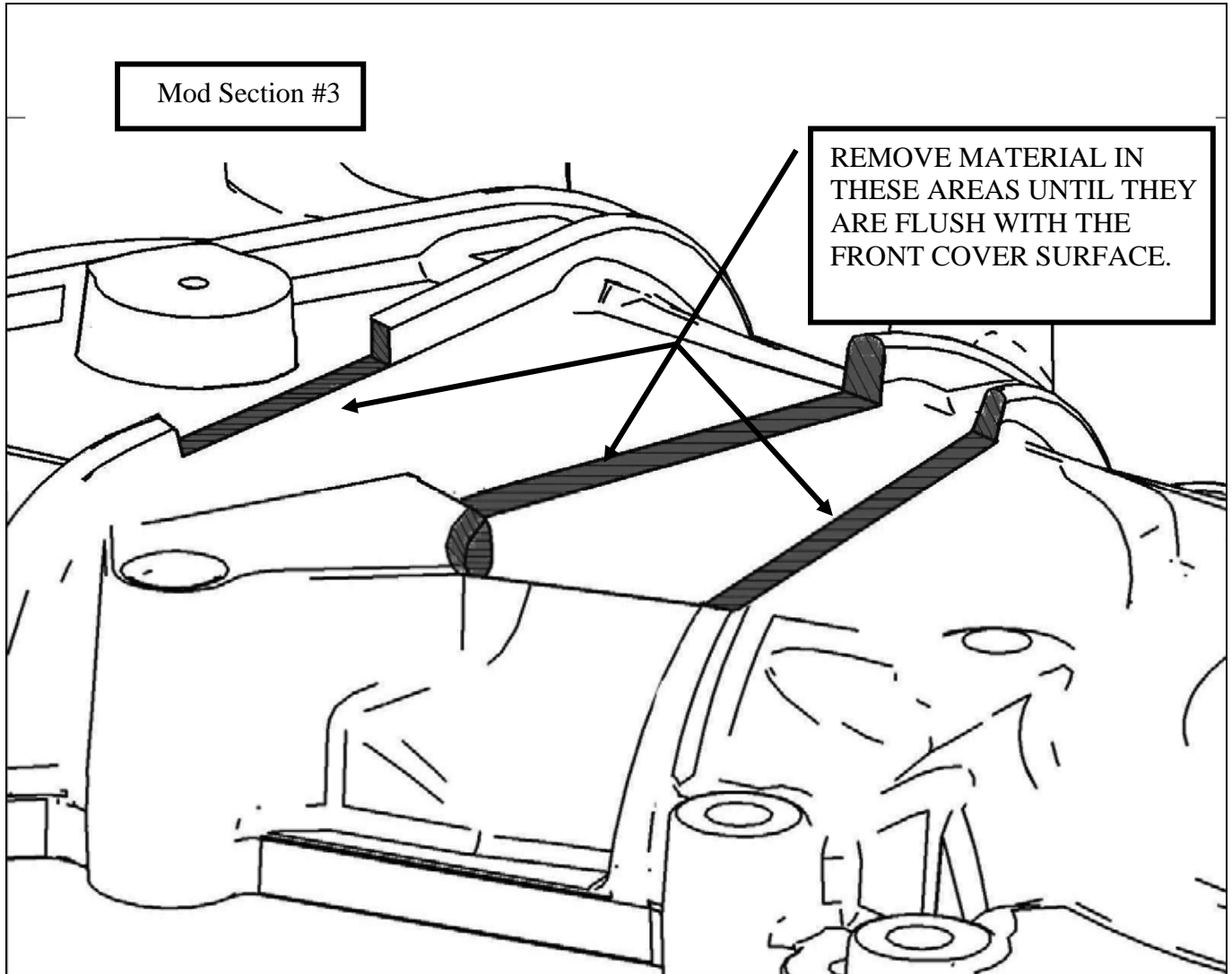


Figure 4



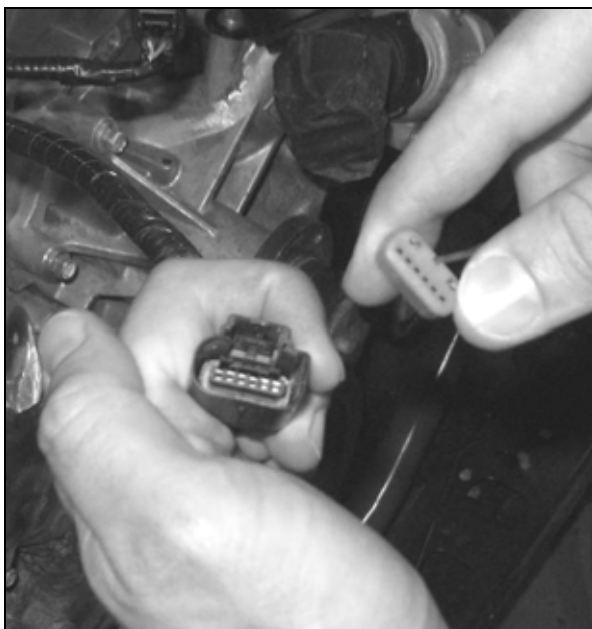
RACING
PERFORMANCE PARTS

TPS/ETC Wiring

1. If you have not already done so, remove the upper radiator cover by removing the 8 push pins.



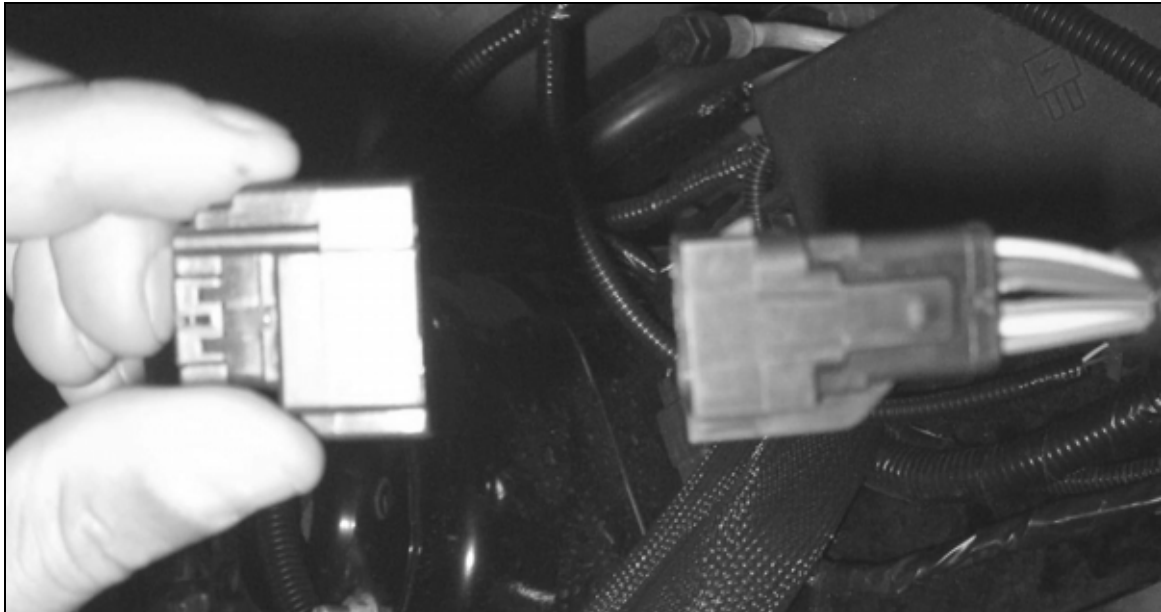
2. Locate the Throttle Position Sensor (TPS) connector and harness at the front of the passenger side cylinder head. Use a proper de-pinning tool to remove the connector from the harness.



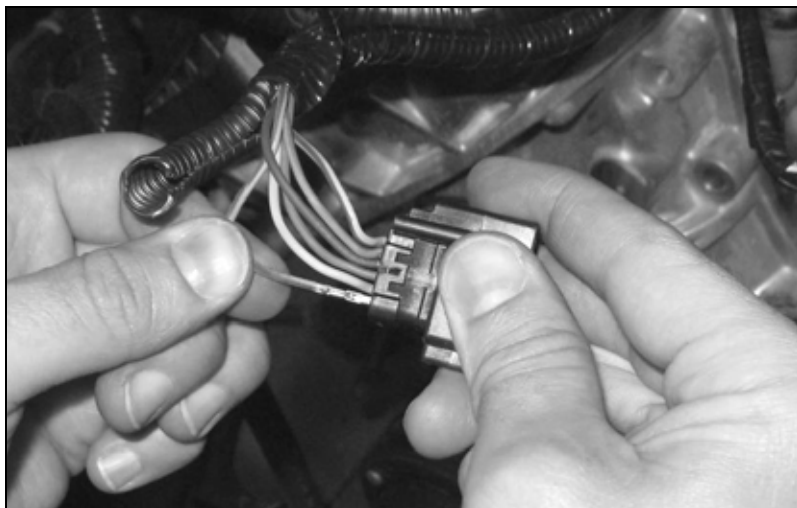


RACING
PERFORMANCE PARTS

3. Depress the locking tab and separate the “empty” female 1 x 6 connector from the new TPS/ETC Extension harness (131114A595). It will be used in the next step.



4. Populate the new connector such that the yellow with violet wire is in position 1, the blue with green wire is in position 2, the brown wire is in position 3, the blue with orange wire is in position 4, the yellow wire is in position 5 and the green with violet wire is in position 6. Install the red plastic lock into the connector to secure the wires in place.

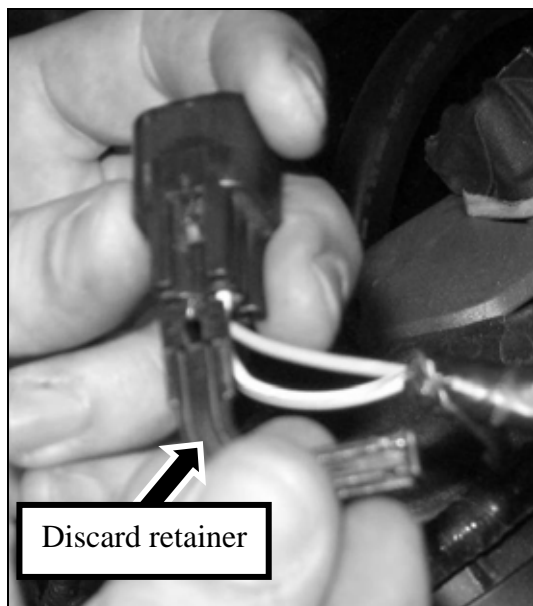
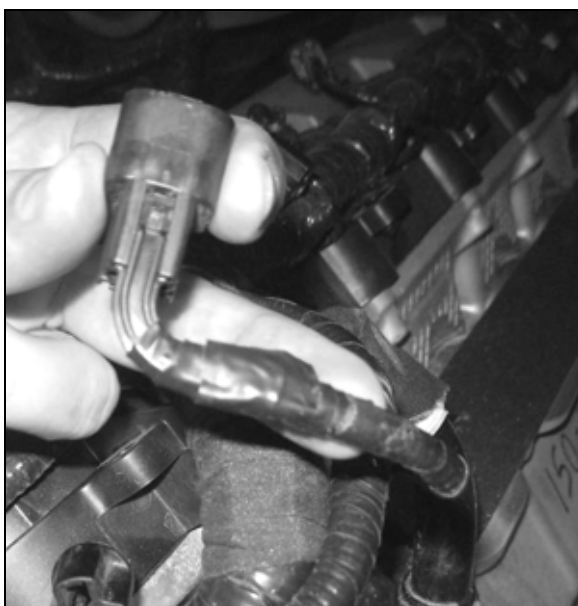


5. Connect the TPS/ETC extension harness to the newly installed connector. The wire colors on each side of the connector pair should align. Route the harness along the main wiring harness to the rear of the driver side cam cover. Use tape or zip ties to secure the extension harness to the main harness.



Canister Purge Valve Wiring

1. Locate the Canister Purge Valve electrical connector at the front of the passenger side cylinder head. Remove and discard the 90 degree wire retainer. Use a proper de-pinning tool to remove the connector from the harness.





RACING
PERFORMANCE PARTS

2. Depress the locking tab and separate the “empty” female 1 x 2 connector from the Canister Purge Valve Extension harness (13119G866). This connector replaces the connector removed in the previous step. **Carefully pull the white locking tab forward to allow wires to be installed into the connector.** Populate the new connector such that the white with brown wire is in position 1 and the green wire is in position 2. Depress the white locking tab to secure the wires.



3. Connect the Canister Purge Valve Extension harness to the newly installed connector. The wire colors on each side of the connector pair should align. Route the harness along the main wiring harness to the rear of the driver side cam cover. Use tape or zip ties to secure the extension harness to the main harness.

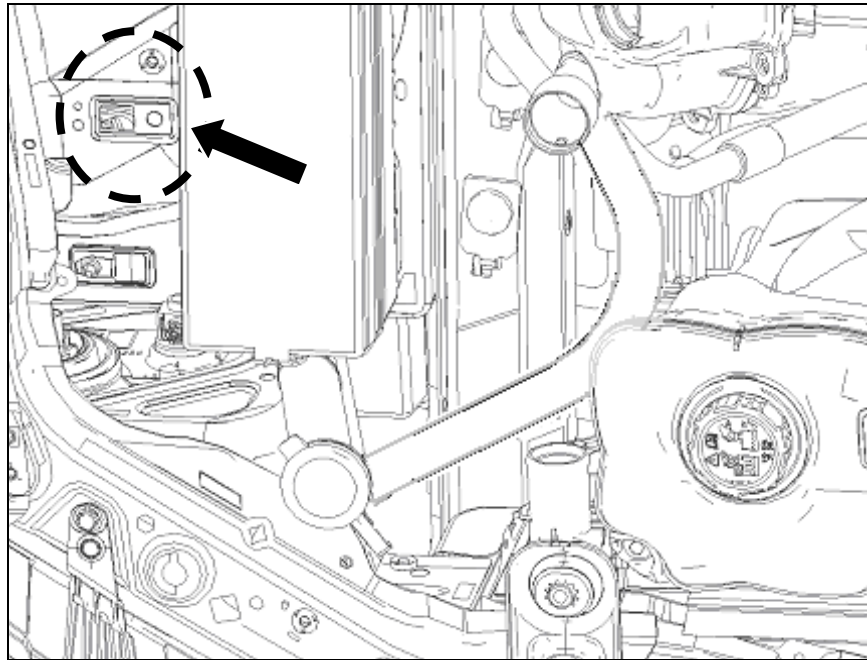




RACING
PERFORMANCE PARTS

Intercooler Pump Wiring

1. Locate the stud next to the underhood fuse box near the passenger side headlight. Remove the wiring harness from this stud. The harness will be re-attached to this stud in a later step.



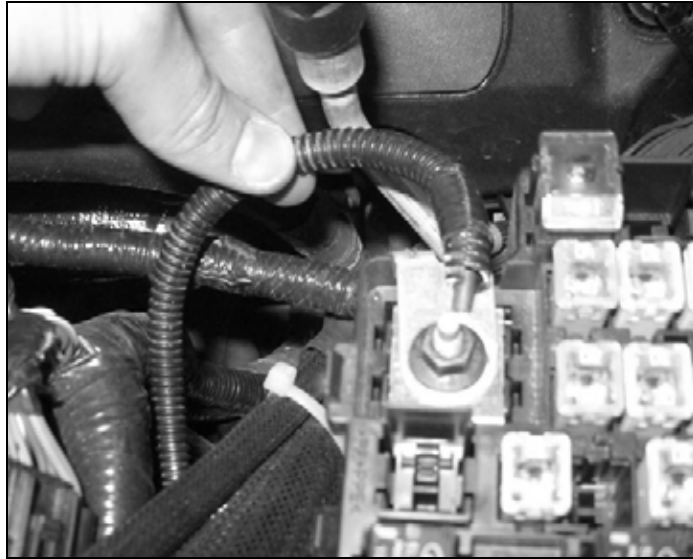
2. Install the relay from the Intercooler Pump Wiring Harness (13118W501) onto the stud. Install the fuse on top of the relay onto the same stud. Use (1) M6 nut (W520412) from the Intercooler Hardware Kit (13116066FRTHKE) to secure the relay and fuse to the stud. Torque the nut to 10 Nm. Reinstall the wiring harness from previous step to the stud for proper retention.



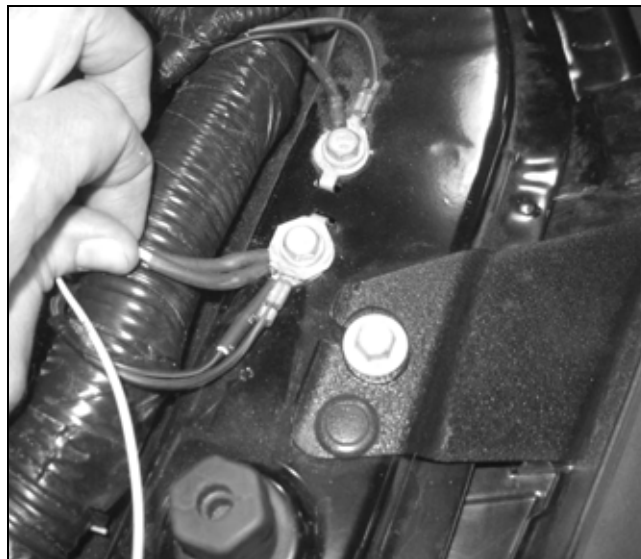


RACING
PERFORMANCE PARTS

3. Route the red wire (part of the Intercooler Pump Wiring Harness installed above) to the positive post at the rear of the fuse block. Remove the nut from the positive post and install the red wire eyelet. Reinstall the nut onto post. Torque to 10 Nm.



4. Route the other bundle of wires coming from the relay around the front of the fuse box along the factory forward lamp harness. Remove (1) bolt securing the factory ground wires to the chassis behind the headlight. Replace the bolt to secure the factory grounds including the grounding eyelet from with the intercooler pump harness.



5. Route the single wire with two electrical connectors along the factory engine harness to the rear of the passenger side cylinder head. Connect these two connectors inline with the passenger side radio capacitor. The single connector will be routed to the intercooler pump in Section D of this manual.

Air Charge Temperature (ACT) Wiring

1. Unplug the 3 PCM connectors by pushing the gray connector lock arms towards the front of the vehicle. You will be working with the bottom 70 pin or "cowl" connector only.
2. a) Remove the pin locking device as shown in figures 2 and 3. Also remove the wire support on the back of the connector (figure 5) by removing the tape and using a small screwdriver to lift the locking tabs.

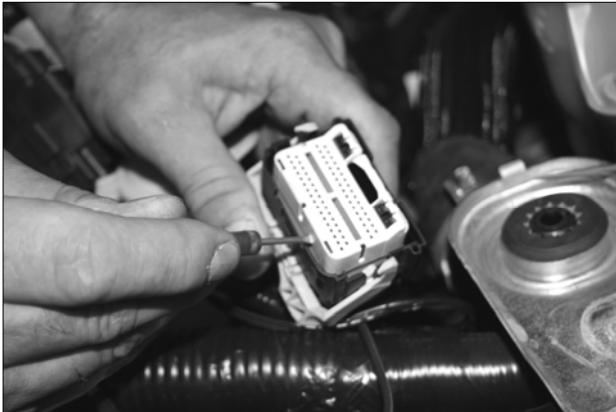


Figure 2

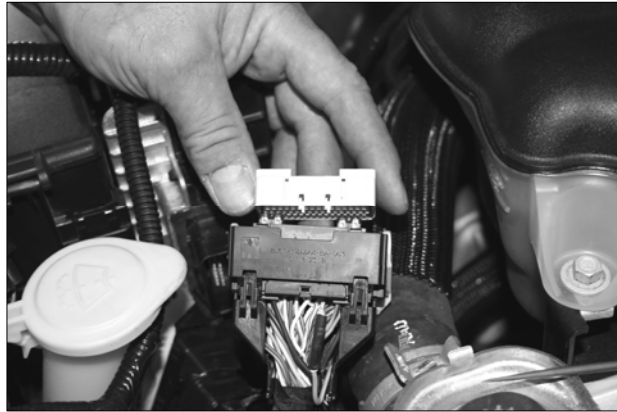


Figure 3

The ACT sensor loom (part#1311-2A690-AA) will have the ACT sensor connector at one end. On the other end will be 2 wires, one with a blunt end and the other with a pin already crimped on. The blunt wire will be spliced into the wire located in pin C-56 of the cowl connector. The wire with the pin will be inserted into location C-36 of the cowl connector. There are small numbers on the back of the connector noting location. Figure 4 below will also help to identify the pin locations.

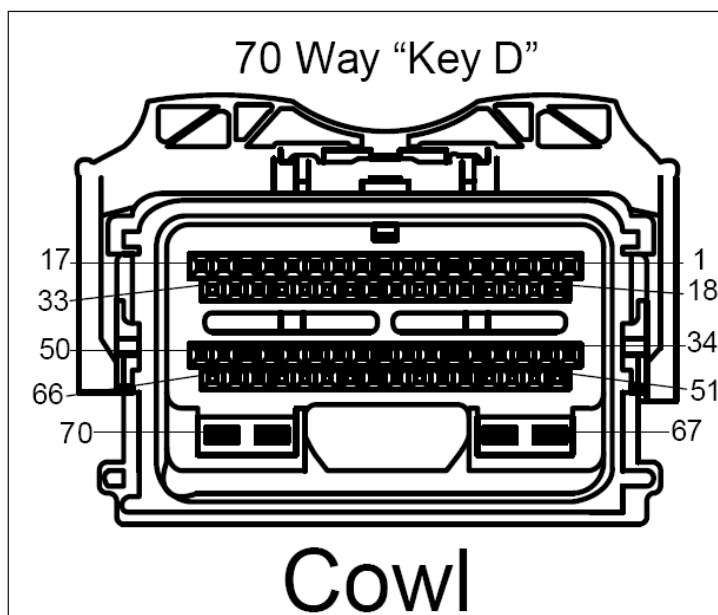


Figure 4: PCM Pin Locations for Cowl Connector – Front View (side that connects to PCM)

b) Remove pin C-56 from the connector by **gently** moving the locking tab away from the pin on the front of the connector and pulling the wire out of the back of the connector. Remove the insulation from a 1/2" section of the pin C-56 wire and 1/2" of the end of the blunt wire on the ACT loom. Solder the two wires together and seal them with the supplied shrink wrap. Reinsert the spliced wire into the C-56 location. Note the orientation of the pins on the front of the connector and reinstall the pin in the same way. If the pin is turned it will not lock. The finished/inserted splice is shown in figures 5 and 6 (green wire with black shrink wrap).

c) Insert the ACT loom wire with the pin into the empty C-36 location of the connector. The back of the connector may have a blank cover at the C-36 location. **Carefully** push this blank cover in with a small screw driver or punch to allow you to insert the pin. Note the orientation of the pins on the front of the connector and install the new pin in the same way.

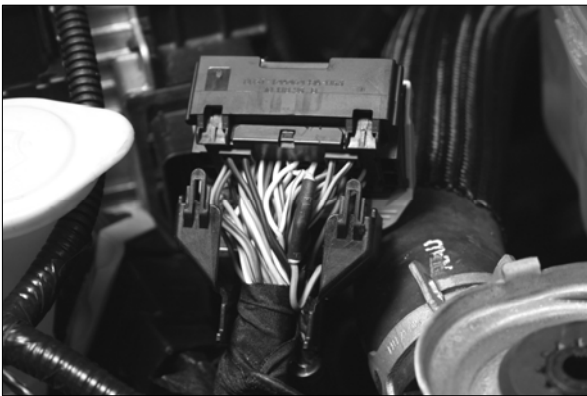


Figure 5



Figure 6

3. a) Reinstall the pin locking device by snapping it into place. Reinstall the wire support on the back of the connector and wrap with tape as before.
- b) Reconnect the PCM connectors and route the ACT loom wire along the top of the cylinder head as shown in figure 7.

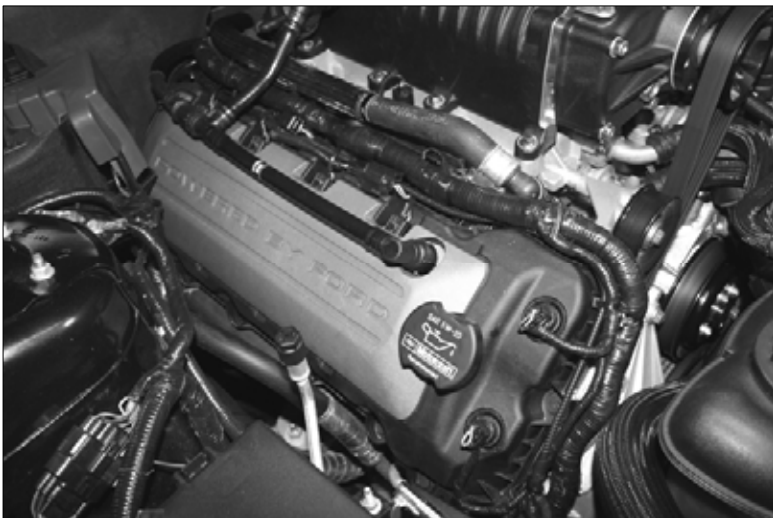
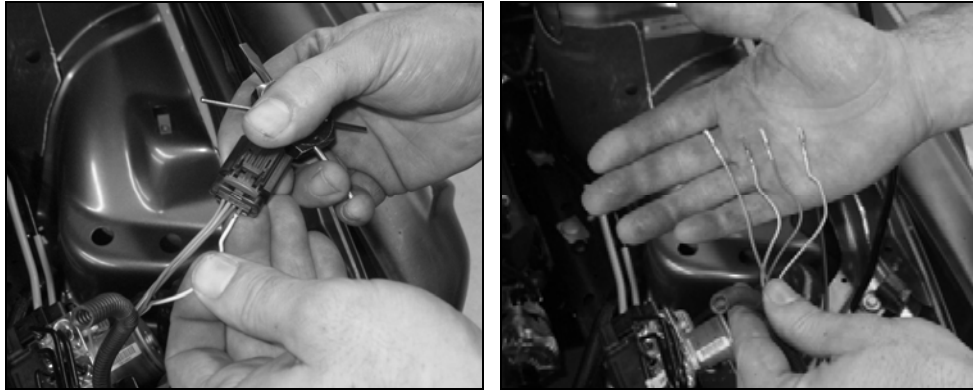


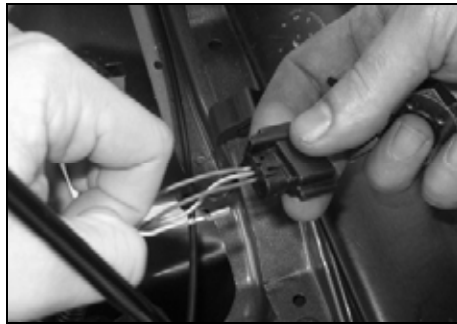
Figure 7

Mass Air Flow (MAF) Wiring

1. Locate the MAF wire harness connector and de-pin the factory MAF connector using a proper de-pinning tool. Remove the pin locking device from the front face of the connector and remove the connector from the harness, retain the pins crimped to each wire as shown.



2. Insert the pins from the factory connector into the female connector provided on the end of the MAF Extension Harness (131112B579W). The following color wires go into the following positions on the clip: Violet with Grey – position #2 , Grey with Yellow – position #3, Blue with White – position #4, Yellow with Violet – position #5. NOTE- Positions 1 & 6 are not used.



3. Perform a visual inspection of the newly pinned connector to ensure that wire colors match on both sides of the harness. Re-install the pin locking device on the front face of the connector.

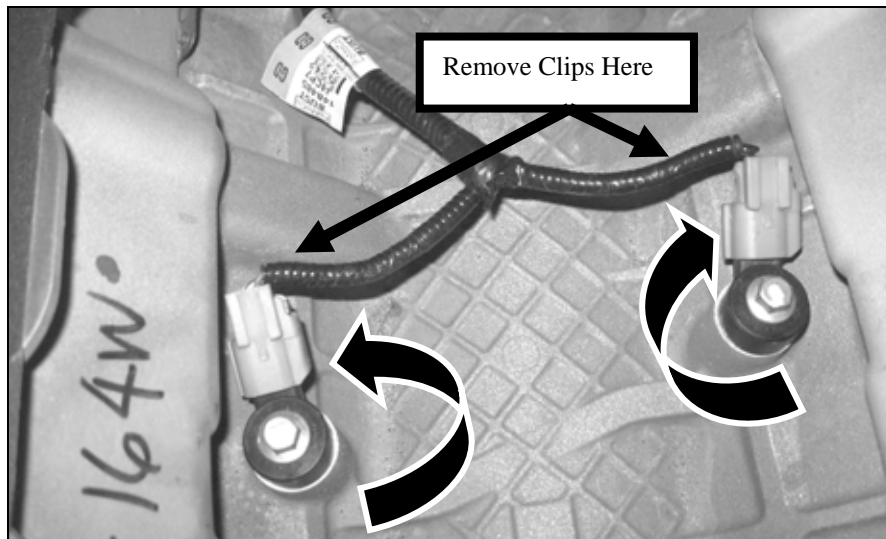




4. Connect the new MAF extension harness to the new connector and route the MAF extension harness around the outer perimeter of the lower air filter tray.

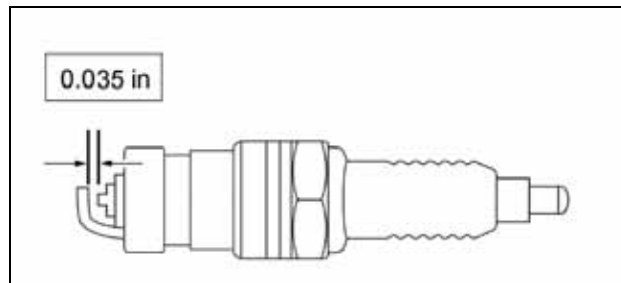
Knock Sensor Orientation Adjustment

1. Loosen the two bolts which retain the knock sensors to the engine block and rotate the RH and LH knock sensor toward the RH and LH cylinder heads respectively. In order to do so, first remove the 90 degree plastic wiring retainer clipped to the connector and taped to the wiring convolute. Torque the knock sensor bolts to 25Nm.



Re-Gapping the Factory Spark Plugs for Optimum Performance

1. Disconnect the electrical connectors for each ignition coil (8 places) and remove the fastener holding the coil on plug in place. Remove the ignition coil on plug. A slight twisting motion will break the seal and ease removal. Remove the spark plugs and re-gap them to 0.035 inches (8 places) as shown.

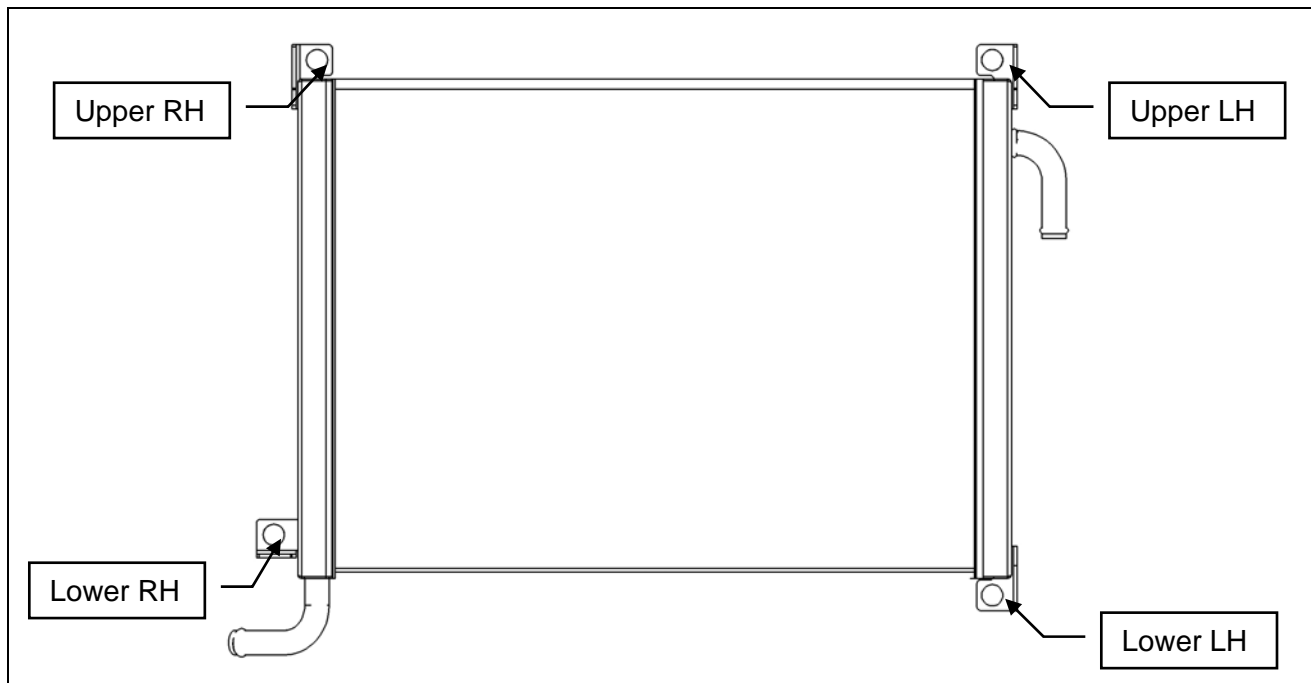


2. Install the re-gapped spark plugs. Torque to 14 Nm (124 lb-in). Install the ignition coil on plugs. Apply a small amount of dielectric grease to the inside of the coil on plug boots before attaching to the spark plugs. Torque the bolts to 6 Nm (53 lb-in). Re-install the coil on plug covers.

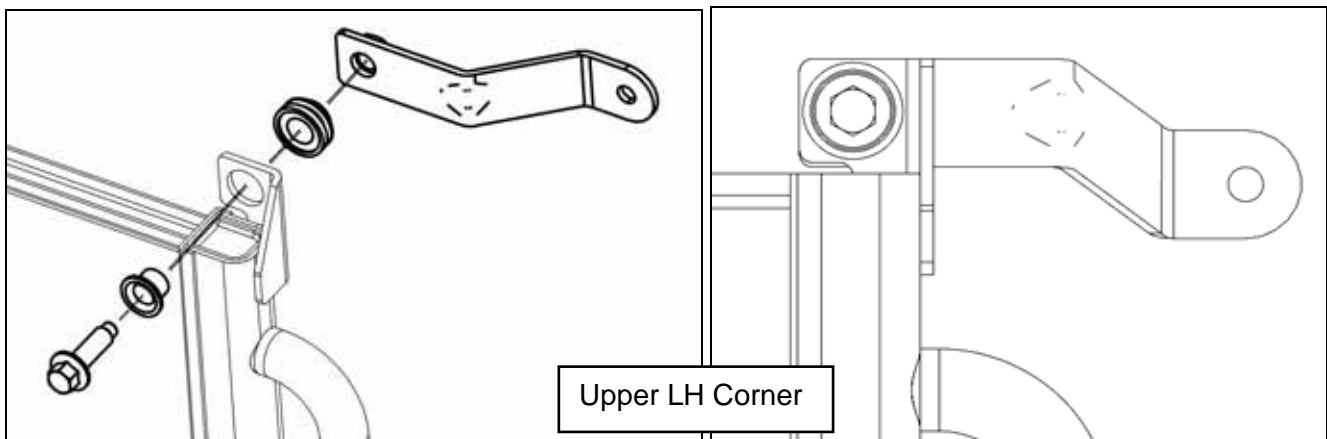
SECTION C – SUBASSEMBLY

Intercooler Low Temperature Radiator (LTR)

1. Insert (1) Rubber Grommet (R07060107) into each mounting tab on the LTR (13108K229).



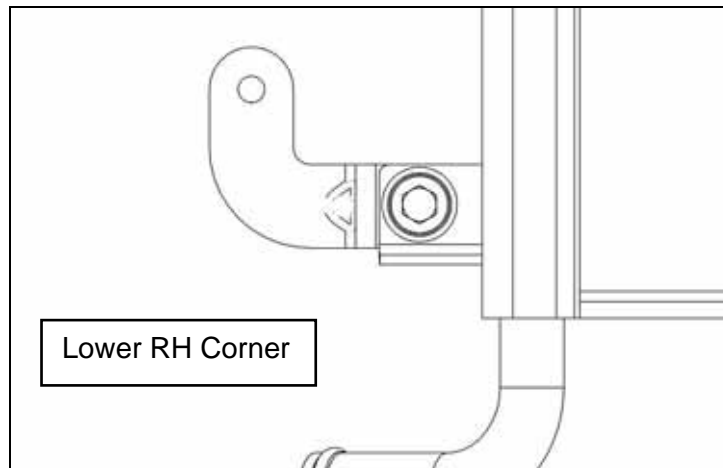
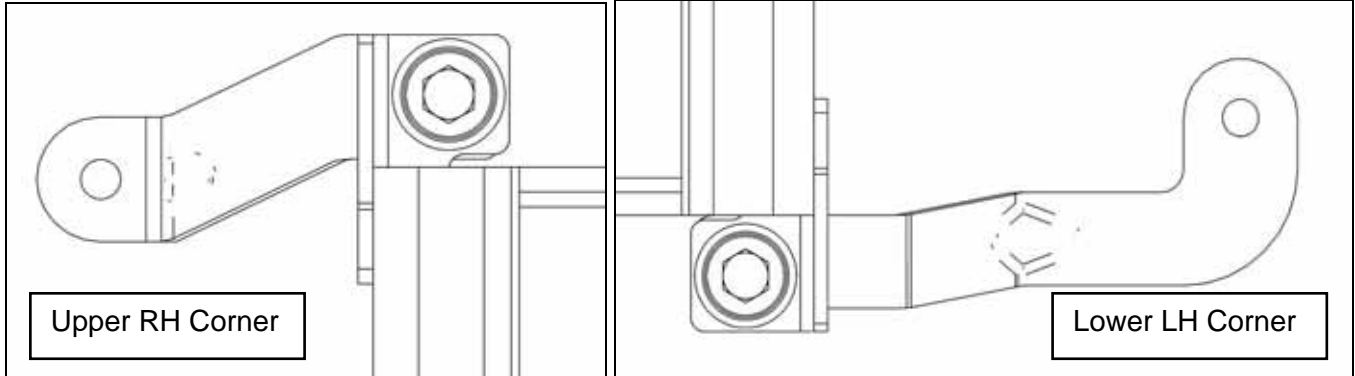
2. Push (1) Sleeve (R07060108) into each of the rubber grommets.
3. Mount the Upper LH LTR Bracket (13108K242) to the upper LH corner of the LTR using (1) M8 x 1.25 x 25mm bolt (W500224). Align the edges of the bracket such that they are flush with the mounting tab on the LTR. Torque bolt to 25 Nm.





RACING
PERFORMANCE PARTS

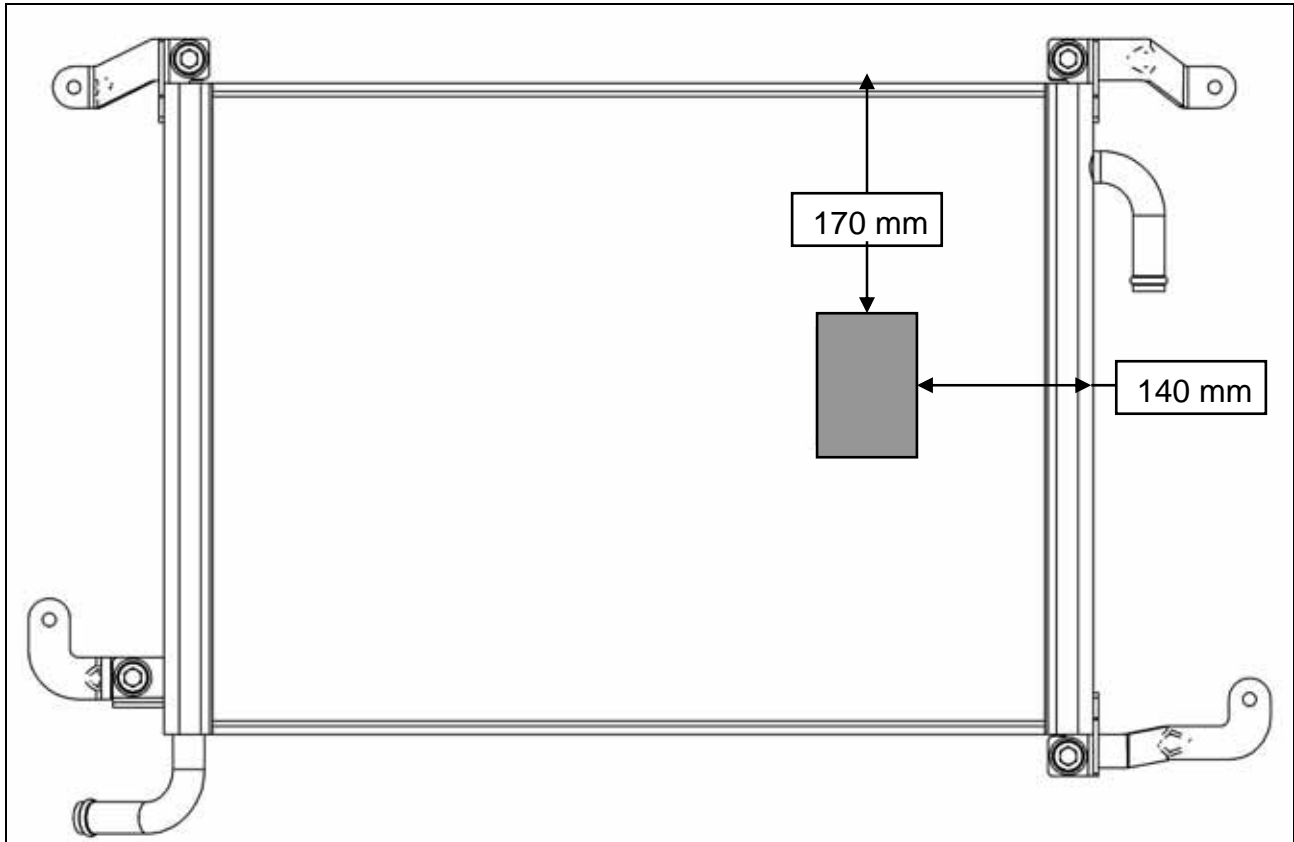
4. Repeat step 3 for each of the remaining LTR Brackets. 13108K243 will go to the upper RH corner, 13108K244 to the lower LH corner and 13108K245 to the lower RH corner of the LTR.





RACING
PERFORMANCE PARTS

5. Install the Intercooler Pump to LTR NVH Isolator (13108Y419) on the front face of the LTR. The pad should be stuck to the LTR so that it is 170mm from the top and 140mm from the right side.

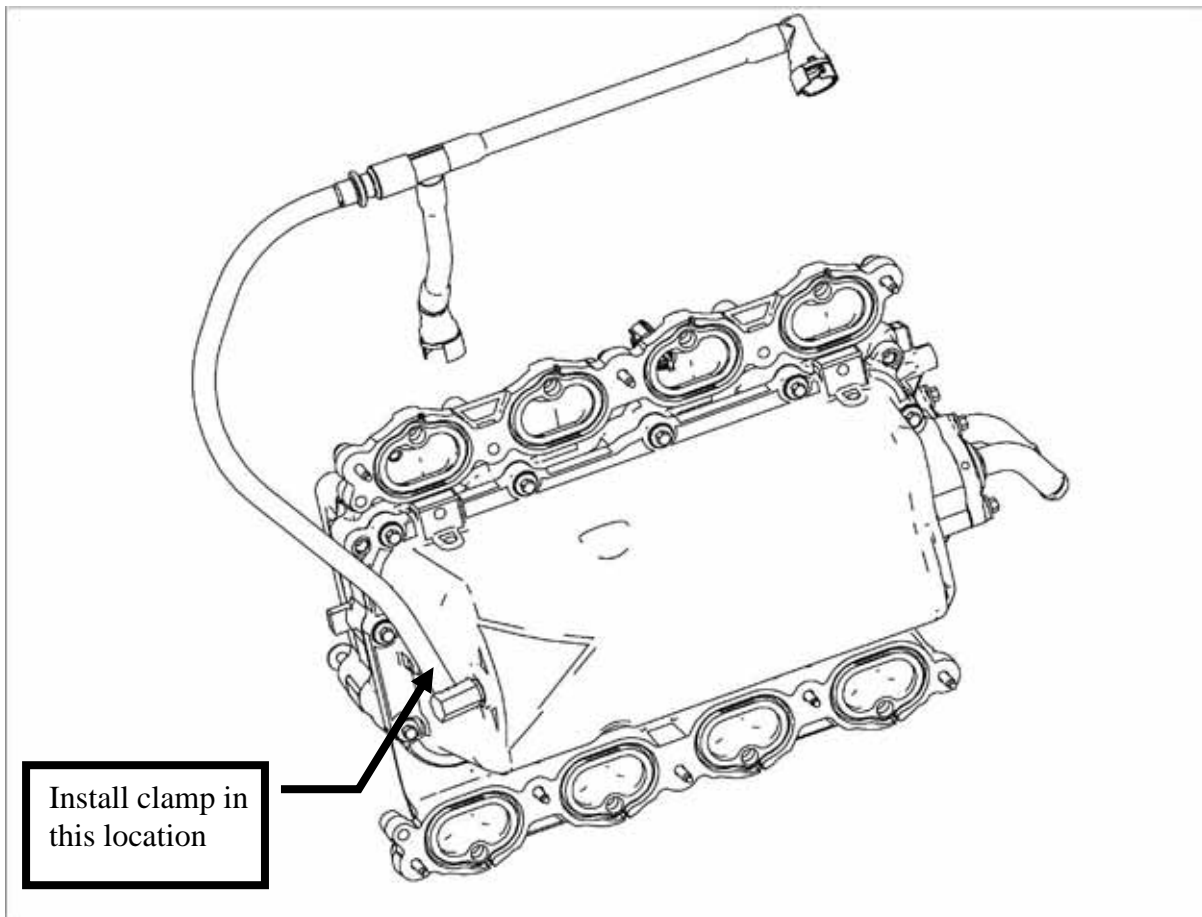




RACING
PERFORMANCE PARTS

Intake Manifold Build Up

1. Remove Fuel Charging Assembly (13119H487) from the packaging.
2. Attach the rubber hose from the PCV Purge Hose (13116K817) to the bubbler fitting (3/8" barb) on the bottom of the fuel charging assembly and secure it with the supplied clamp.

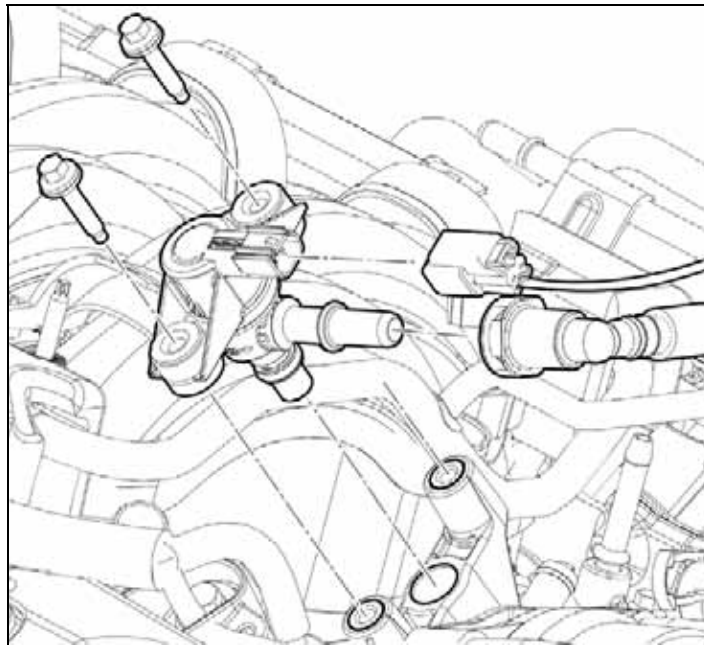




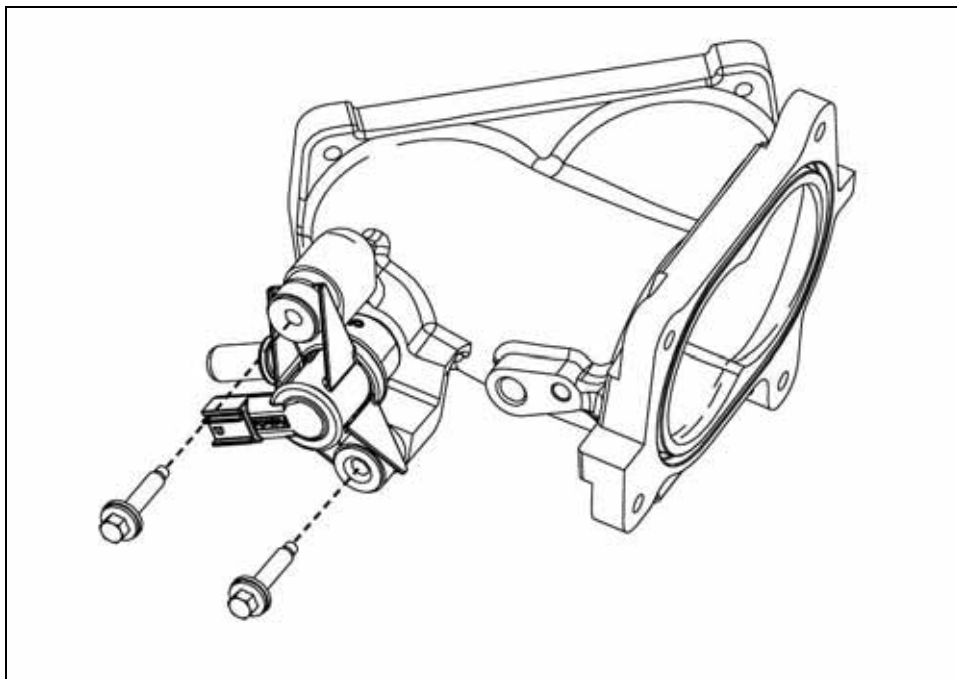
RACING
PERFORMANCE PARTS

Evaporative Emission Canister Purge Valve Relocation

1. Remove the Evaporative Emission Canister Purge Valve from the stock intake manifold.



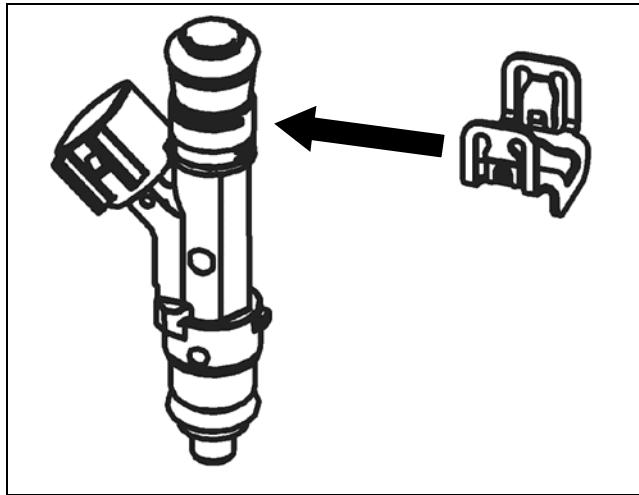
2. Install the valve into the new Throttle Body Spacer using (2) M6 x 1.0 x 35.5 mm bolts (N808429). Torque bolts to 10 Nm.



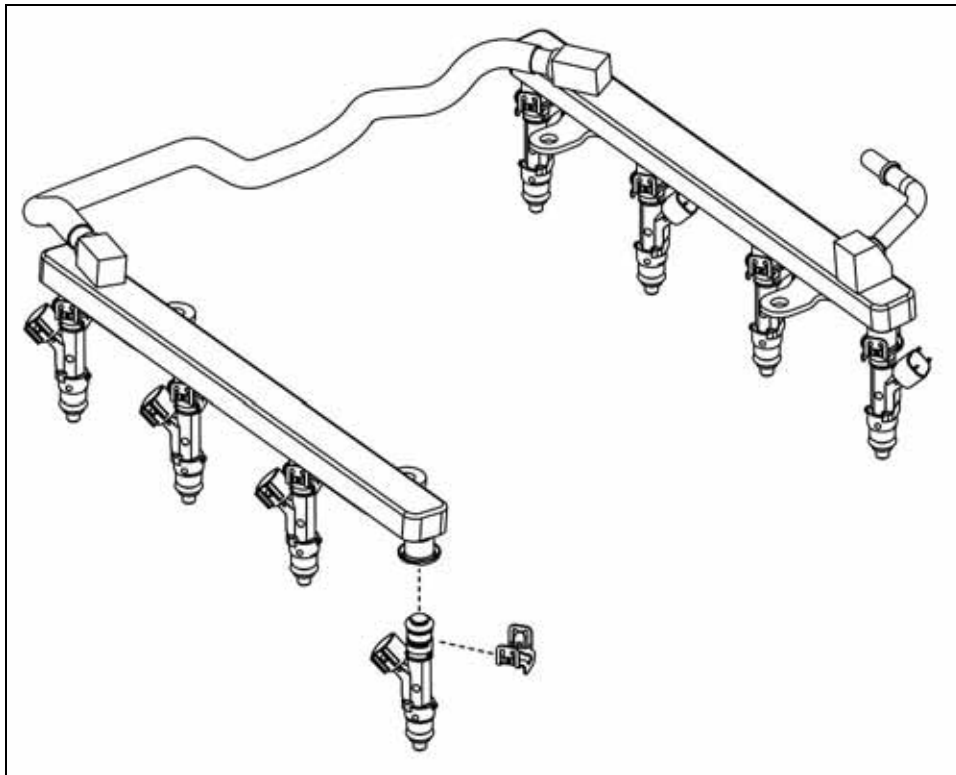


Fuel Rail Assembly

1. Carefully install the new Anti-Rotation Fuel Injector Clips (1311-9C995) From Hardware Kit B (13116066FRTHKB) onto the new Fuel Injectors (M-9593-LU47ROU).



2. Apply assembly lube to the injector O-rings and install the injectors into the new Fuel Rail (13119F792). **NOTE:** Verify that the anti-rotation clips are properly aligned and fully engaged into the fuel rail injector cups.



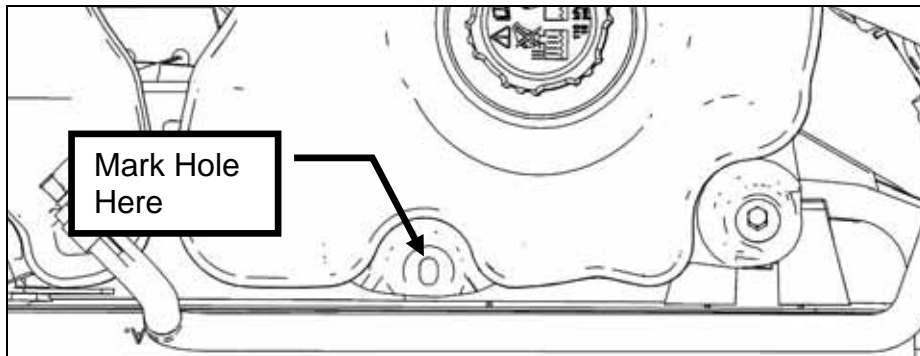


SECTION D – INSTALLATION

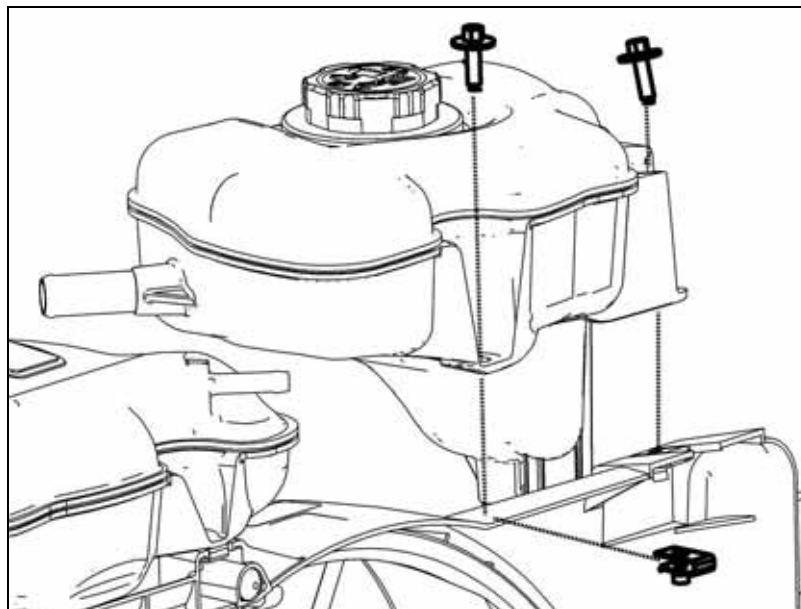
The following section will guide you through the final installation of the kit into the vehicle. If you need to stop during any part of the installation, make sure you cover any open ports in the cylinder heads or intake manifold to prevent foreign material from contaminating your engine.

Intercooler Reservoir Mounting

1. Install the Intercooler Degas Bottle (13108D080) with Degas Bottle Cap (9C3Z-8101-B) onto the fan shroud using (1) M6 x 1.0 x 22 mm bolt (R18020057) from Hardware Kit E. Use the bottle as a template to mark the second mounting hole with a paint pen. Remove the bottle and drill a 5/16" hole through the fan shroud.

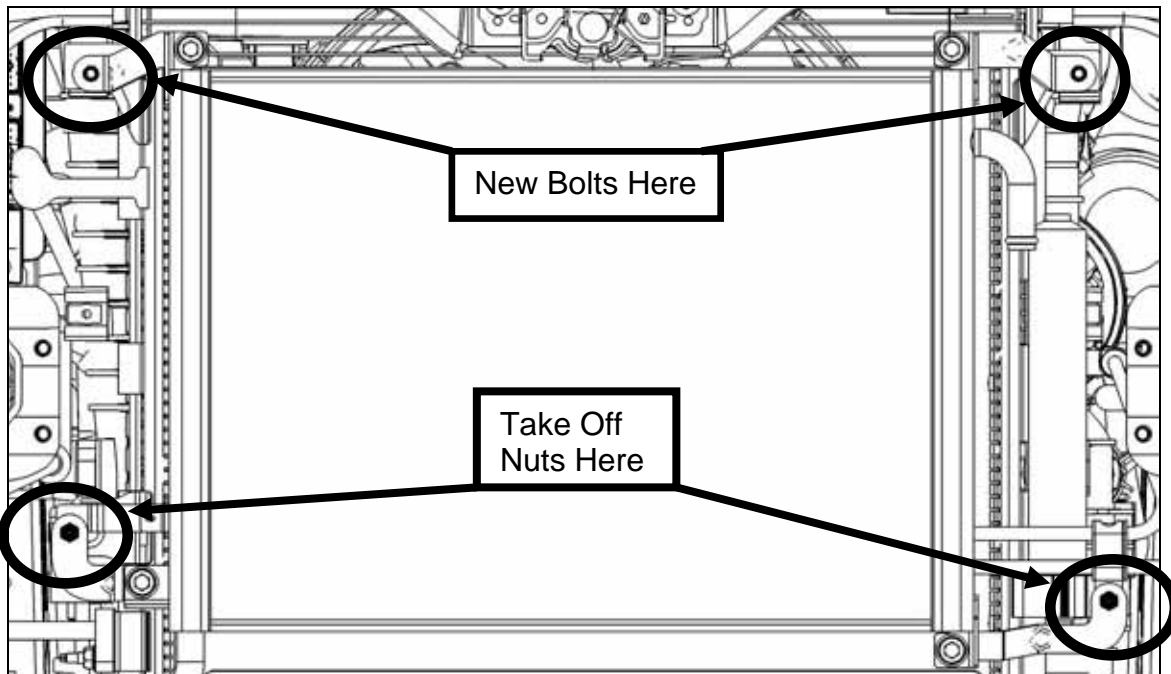


2. Install (1) M6 J-Clip (N623332) from Hardware Kit E onto the fan shroud. Reinstall the fan shroud and bolts and torque to 10 Nm. Reinstall the intercooler degas bottle using (2) M6 x 1.0 x 22 mm bolts (R18020057) and torque to 10 Nm.



Intercooler Radiator Assembly Mounting

1. Remove the stock radiator side shields. The push pins will be reused.
2. Remove the (2) upper bolts and (2) lower nuts used to secure the air conditioning condenser core to the vehicle. The nuts will be reused.
3. Install the new LTR assembly into the vehicle using (2) M6 x 1.0 x 22 mm bolts (R18020057) at the top into the radiator and the two nuts that were removed in the previous step at the bottom. Torque the two bolts and two nuts to 10 Nm.

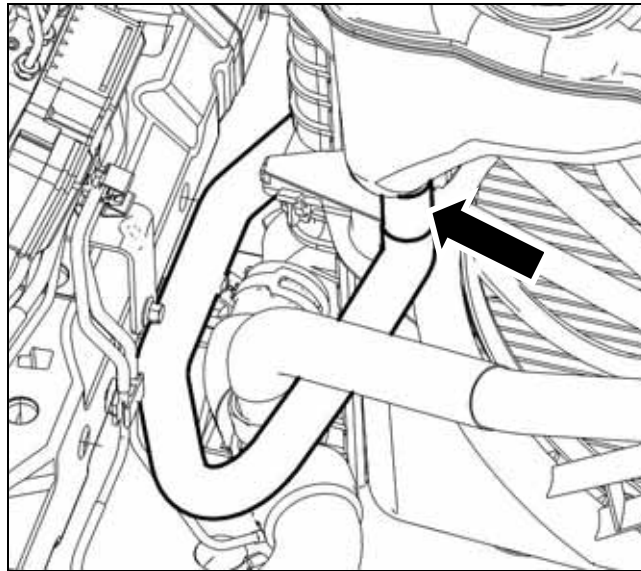




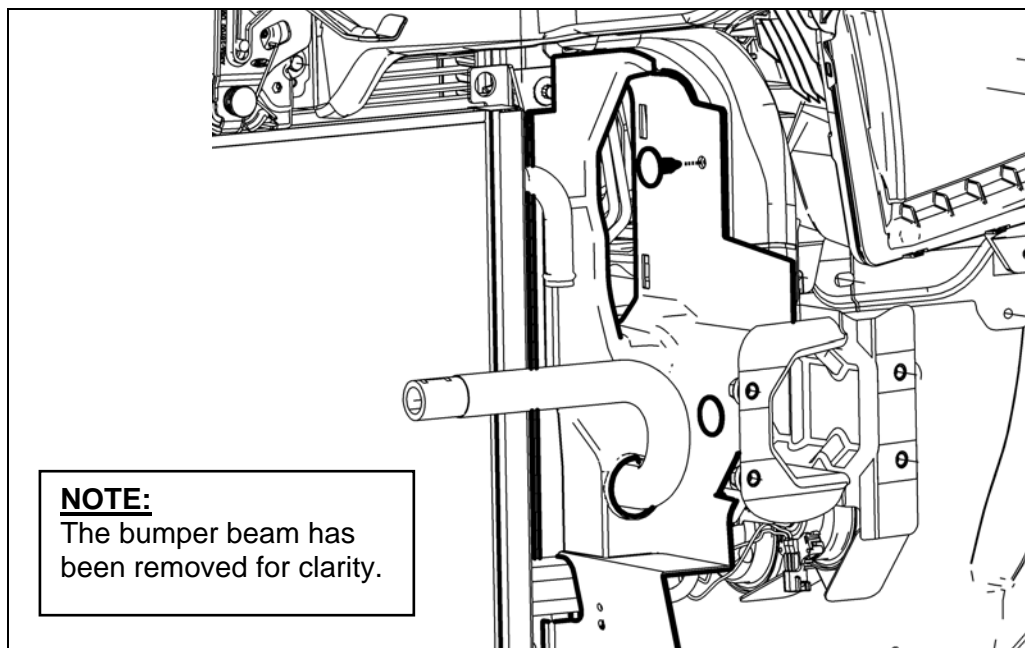
RACING
PERFORMANCE PARTS

Electric Water Pump, Mounting Bracket and Hoses

1. Install the Intercooler Pump Inlet Hose (13108D029) from the degas bottle outlet port to the front of the LTR by routing the hose around the lower radiator hose "T" joint and along the frame rail. Secure the hose to the bottom of the degas bottle using (1) $\frac{3}{4}$ " constant tension clamp (CT19x12-BO). Orient the clamps so the "I" on the hose is in the center of the clamp tangs.



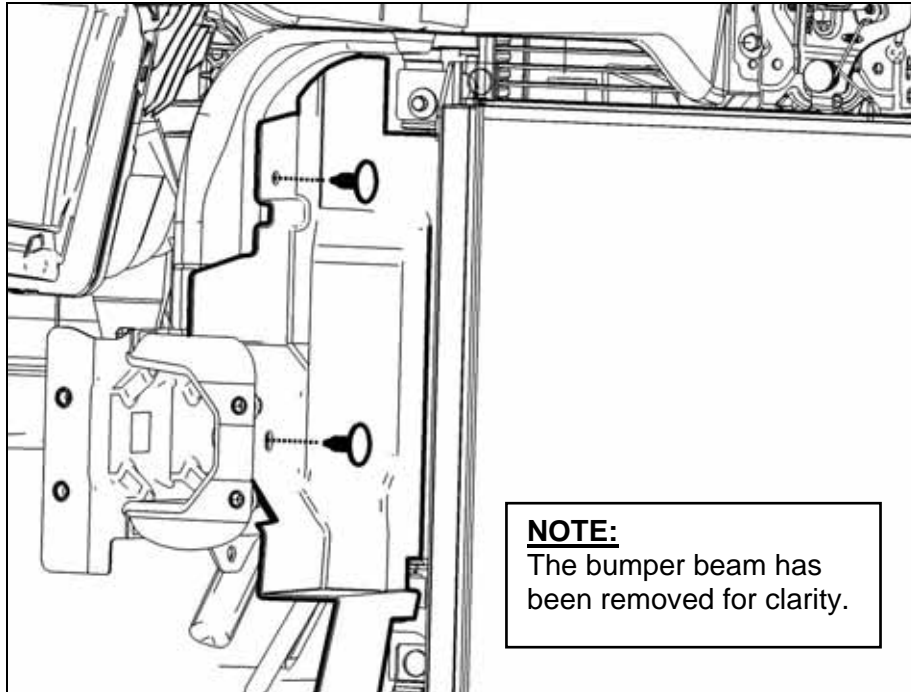
2. Install the LH side Radiator Side Shield (1310010207LH) by routing the Intercooler Pump Inlet Hose (installed in the previous step) through the hole in the shield and securing the shield to the chassis using the take off push pins.



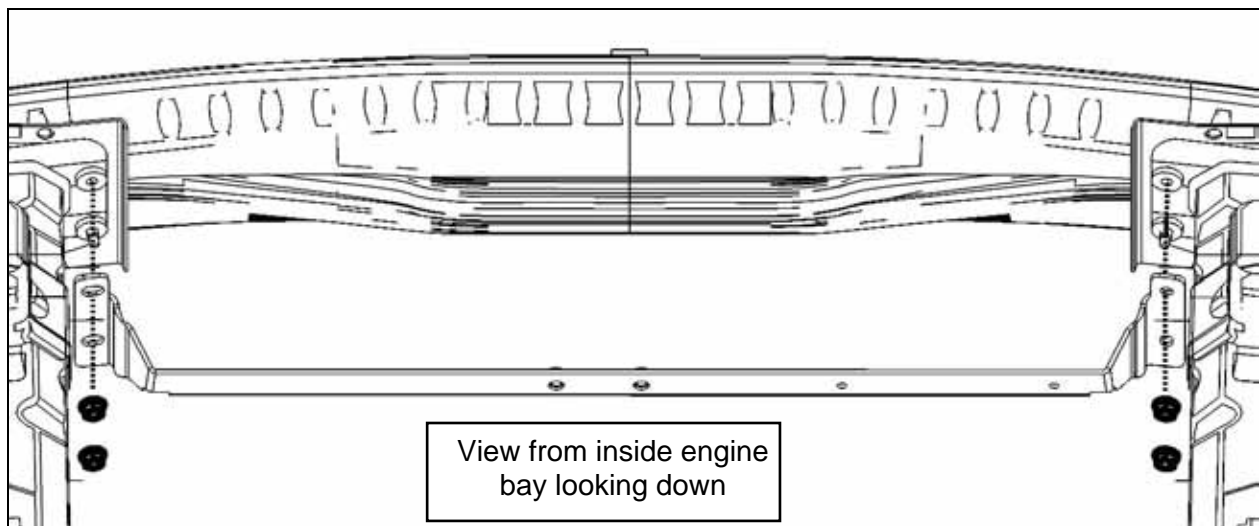


RACING
PERFORMANCE PARTS

3. Install the RH side Radiator Side Shield (1310010207RH). Secure the shield to the chassis using the take off push pins.



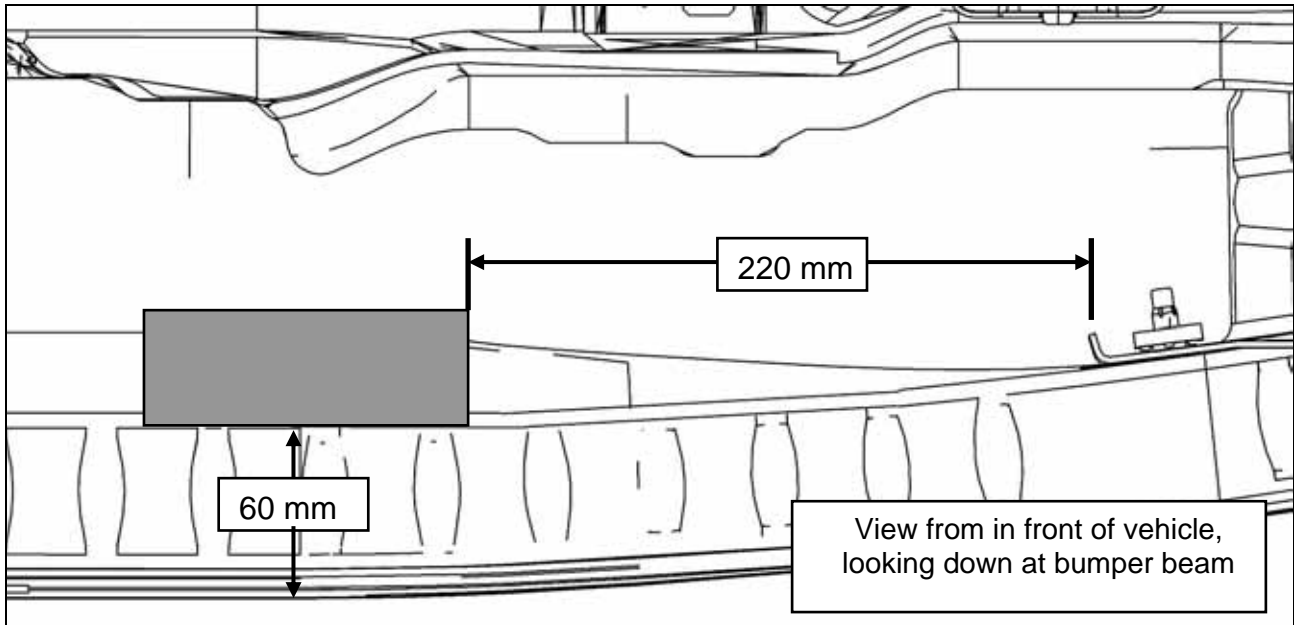
4. Remove the (2) upper, inner front bumper beam bolts.
5. Install the (2) Long Bumper Bolts (R18020007) from Hardware Kit E in place of the (2) which were just removed and torque to 25 Nm. Install the Intercooler Pump Mounting Bracket (13108C419) behind the bumper onto the long bumper bolts using (4) M8 nuts (W520413) from Hardware Kit E. Torque these nuts to 25 Nm.



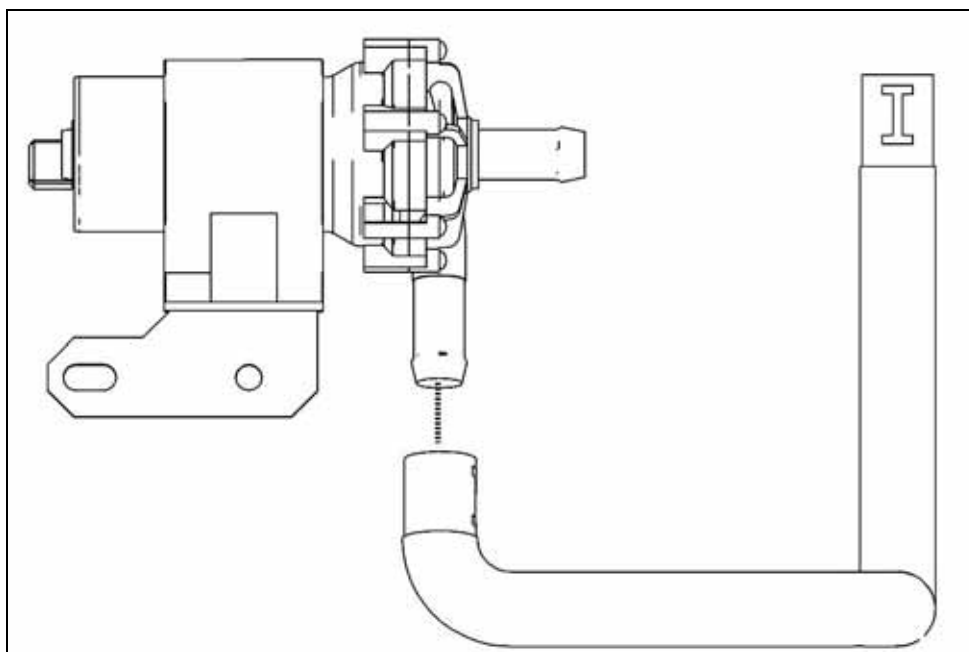


RACING
PERFORMANCE PARTS

6. Install the Intercooler Pump to Bumper Beam NVH Isolator (13108Z419) on the rear of the bumper beam such that the edge of the pad is 220mm from the driver side bumper beam mounting plate and 60mm from the front edge.



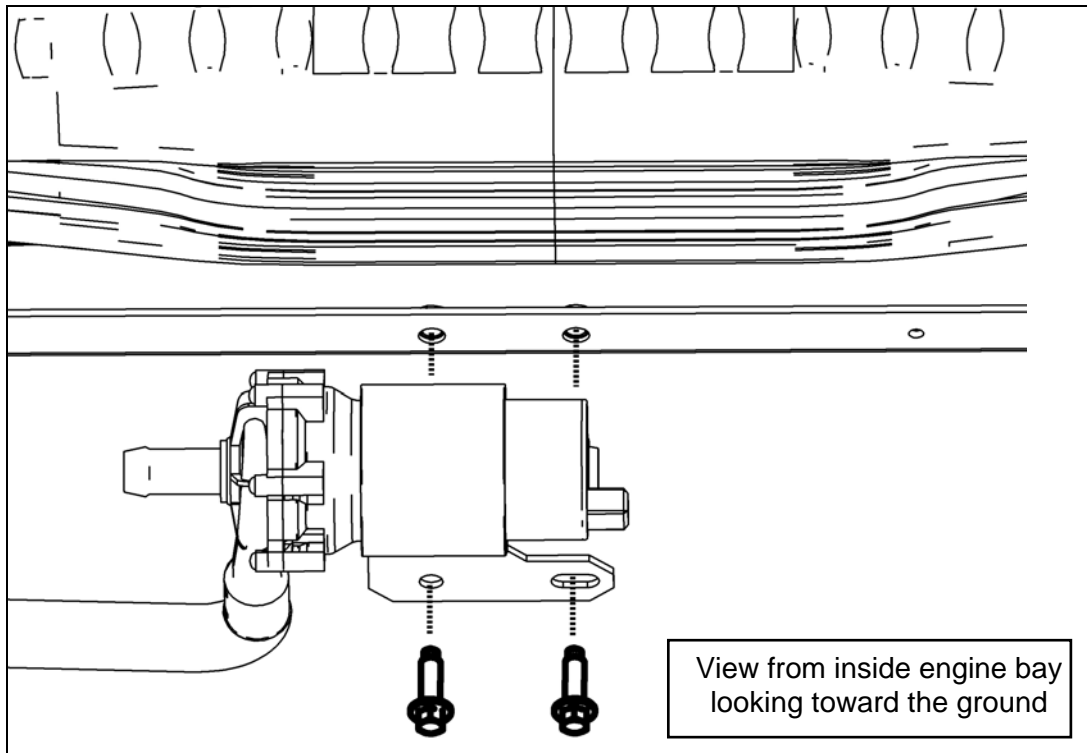
7. Connect the Intercooler Pump to LTR hose (13108K236) to the Intercooler Pump and Bracket assembly (392022009). Orient the hose so the "I" is aligned with the arrow on the pump outlet port. Secure the hose to the pump using (1) $\frac{3}{4}$ " constant tension clamp (CT19x12-BO). Orient the clamp so the "I" on the hose is in the center of the clamp tangs.



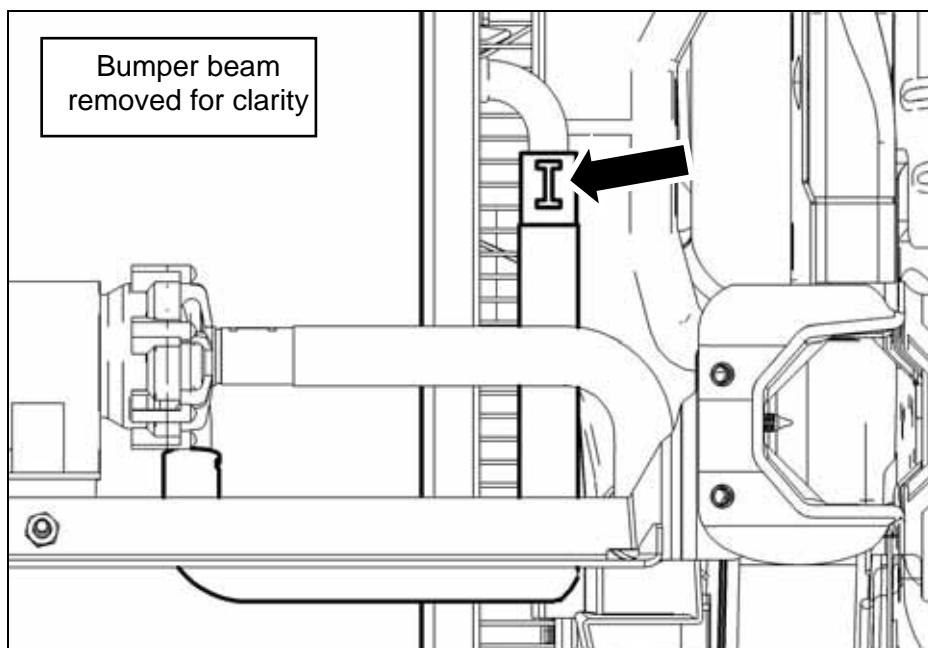


RACING
PERFORMANCE PARTS

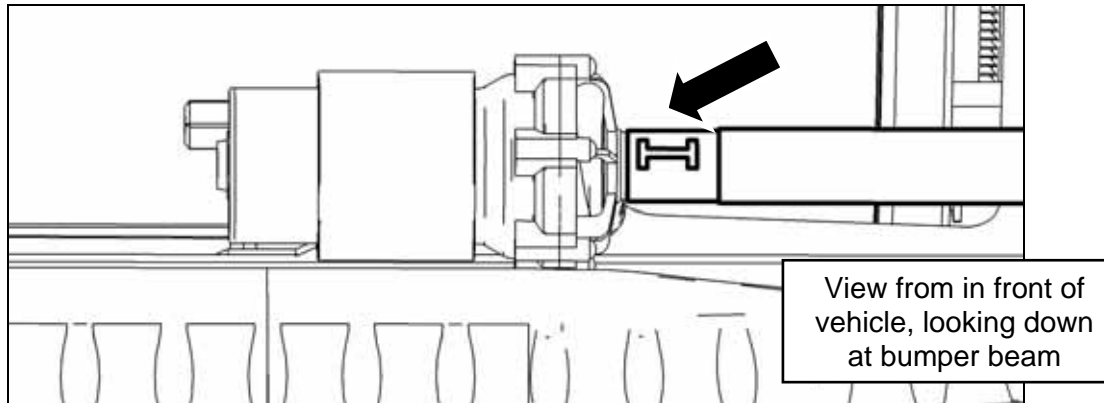
- Secure the Intercooler Pump and hose to the Intercooler Pump Mounting Bracket using (2) M8 x 1.25 x 25 mm bolts (W500224) from Hardware Kit E so the outlet is facing away from the two holes that are in the bracket. Torque bolts to 25 Nm.



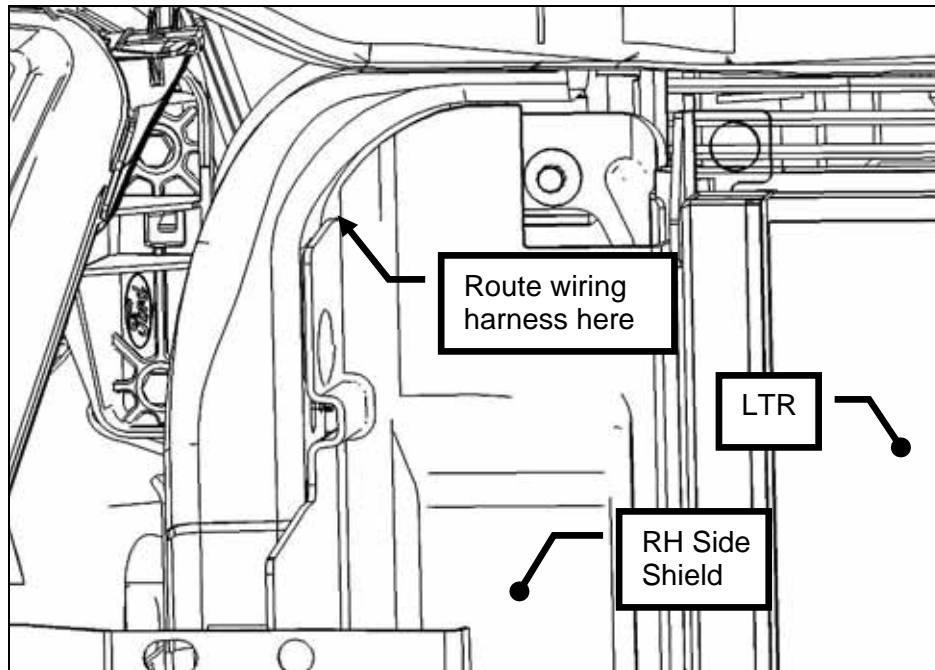
- Connect the Intercooler Pump to LTR hose to LTR inlet port using (1) $\frac{3}{4}$ " constant tension clamp. Orient the clamp so the "I" on the hose is in the center of the clamp tangs.



10. Connect the Intercooler Pump Inlet Hose to the inlet port on the intercooler pump. Secure the hose to the pump using (1) 3/4" constant tension clamp. Orient the clamp so the "I" on the hose is in the center of the clamp tangs.



11. Route the remainder of the Intercooler Pump Wiring Harness next to the headlight and radiator and through the hole in the RH Radiator Side Shield. Connect the wiring harness to the pump and secure the harness to the bracket by pushing the push pins on the harness into the holes in the mounting bracket.



12. Reinstall the impact absorber onto the front bumper beam using the take out pushpins.

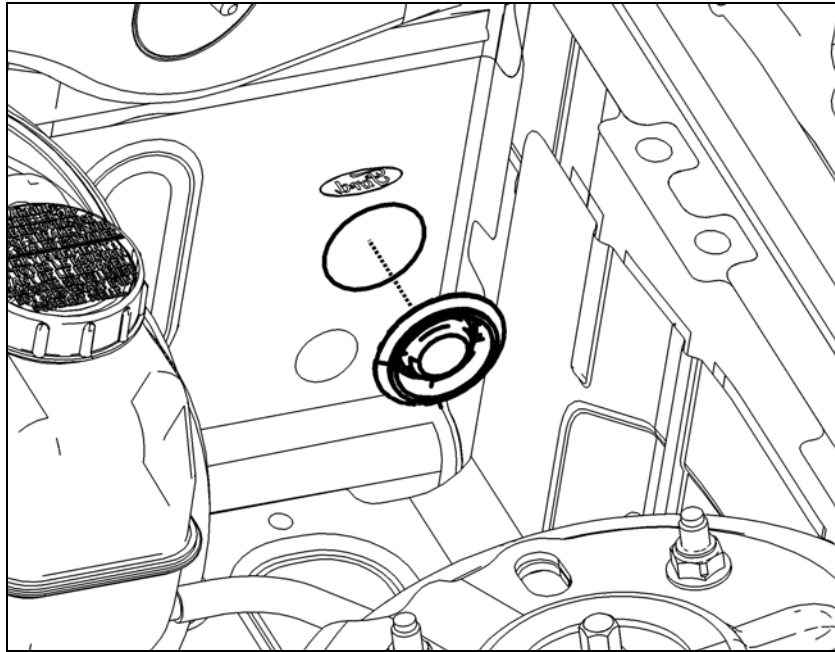
Note: Route all intercooler hoses very carefully. It is critical for intercooler performance that these hoses are not kinked once installed into the vehicle.



RACING
PERFORMANCE PARTS

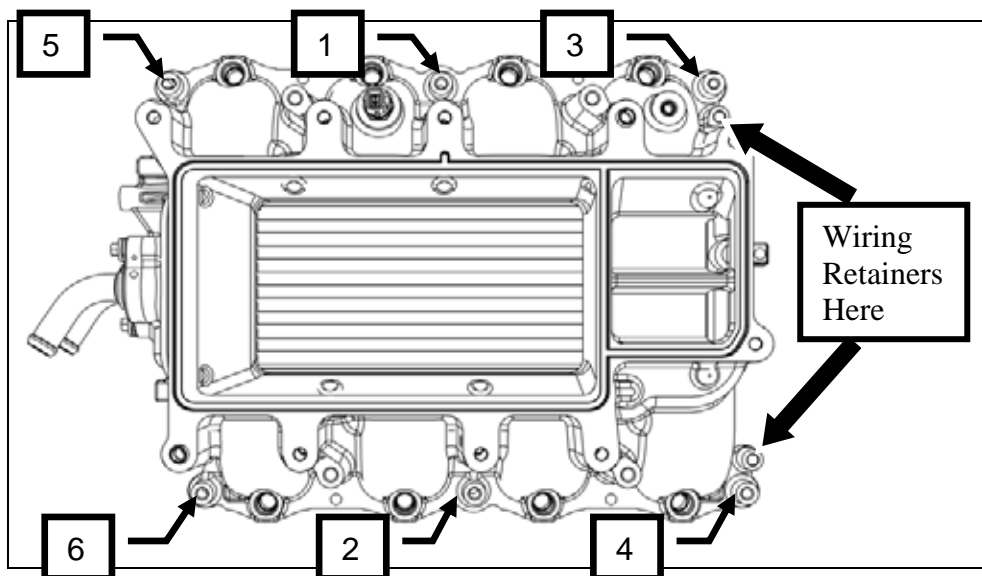
Induction Resonance Tube Delete Grommet

1. Install the Induction Resonance Tube Delete Grommet (W651016) in the hole that was exposed when the boom tube was removed.

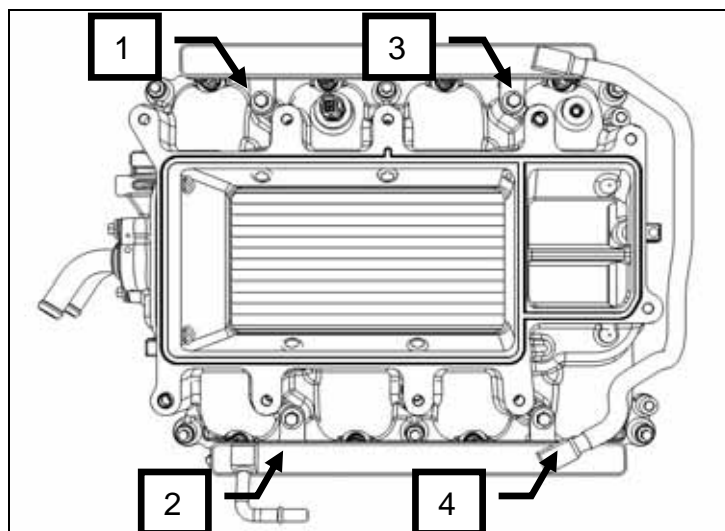


Intake Manifold and Supercharger Installation

1. Remove the tape from the cylinder heads and clean the cylinder head to intake manifold mating surfaces.
2. Install the intake manifold using (6) M6 x 1.0 x 40 mm bolts (R18020004). Install these fasteners in the positions shown and tighten the sequence in two stages. Stage 1; torque bolts to 10 Nm. Stage 2; tighten bolts an additional 45 degrees. Reinstall the engine wiring harness retention clips at the rear of the intake manifold.

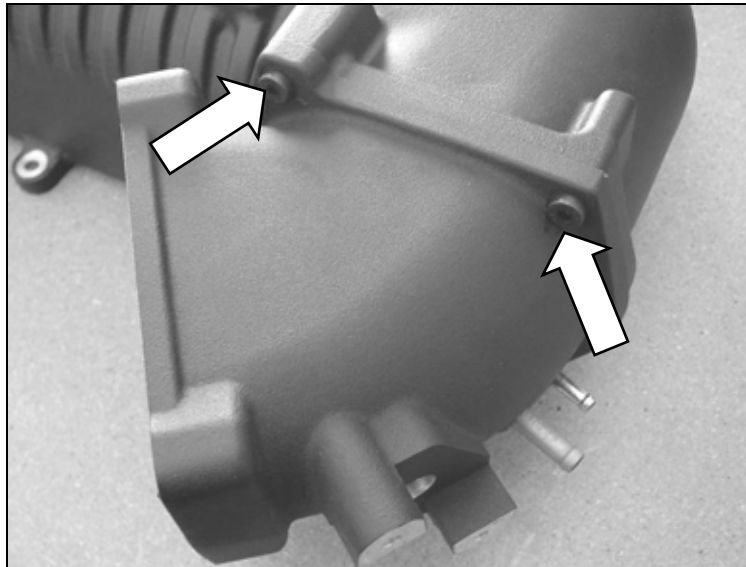


3. Lube the fuel injector o-rings with assembly lube. Install the fuel rail and injectors into the intake manifold using the take off bolts. Be sure each injector is properly seated into the intake manifold. Tighten the bolt pattern in two stages. Stage 1; torque bolts to 10 Nm. Stage 2; tighten bolts an additional 90 degrees.





4. Connect the eight fuel injector connectors.
5. Remove the supercharger assembly from the packaging. Be sure to remove the protective tape that is on the bottom of the housing at the rotor outlet and from the inlet of the throttle body spacer. Install the supercharger pulley using the bolts provided. Torque bolts to 15Nm.
6. Remove the throttle body spacer that is attached to the supercharger. This has only been installed for shipping purposes. It is **not sealed** and the fasteners are **not torqued**. Remove the (4) fasteners that retain the throttle spacer to the supercharger housing. Set these aside as they will be reused in a later step.



7. The supercharger is shipped without oil in the front gear case. A bottle of supercharger oil has been included in your supercharger kit. Place the supercharger assembly on a flat and level surface and fill the front case with oil per the following instructions:

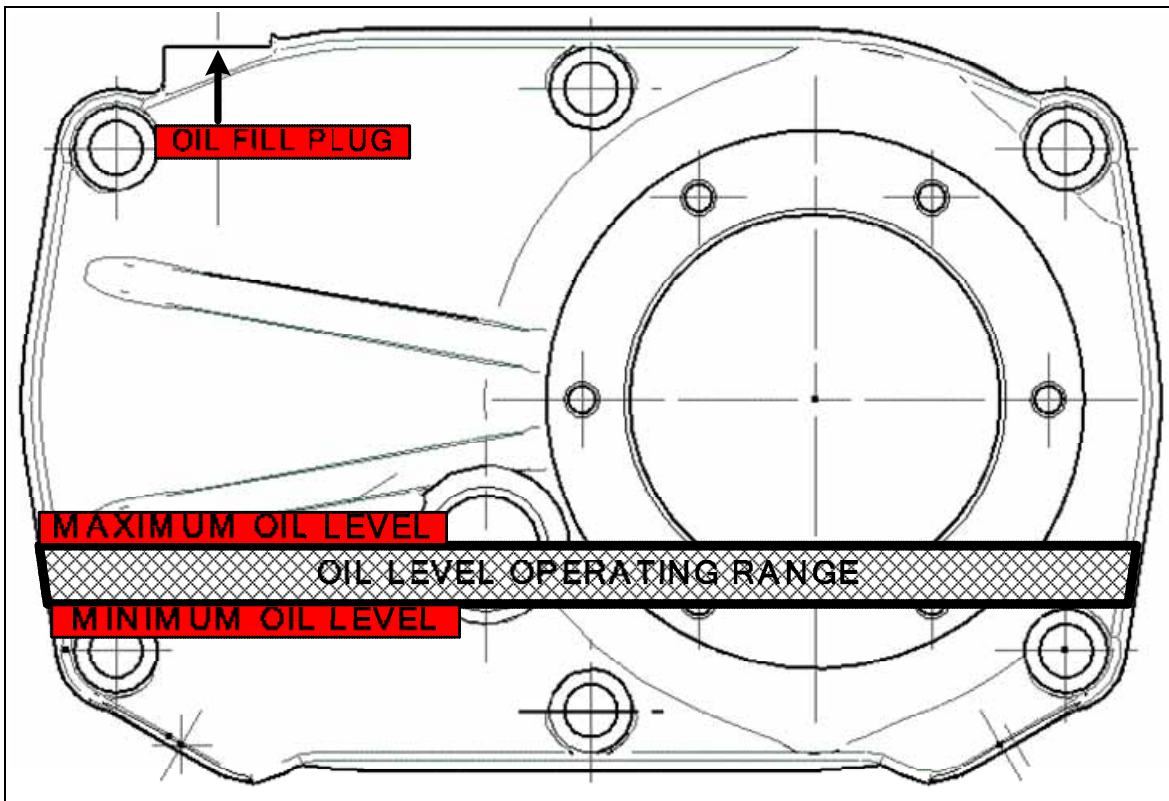




!! CAUTION !! Severe damage to the compressor will occur if you overfill the supercharger front gear case.

- Make sure the supercharger is sitting square/flat.
- Remove the -4AN Allen plug (3/16" Allen wrench) located on the top right hand corner of the front gear case and fill the supercharger with **WHIPPLE SC OIL OR FORD SYNTHETIC SUPERCHARGER FLUID PART # XL-4 ONLY!!**
- Fill to the middle of the sight glass on the supercharger front cover.
NOTE: The W140AX compressor takes a maximum of 5.8 fl/oz.
- Reinstall the -4AN Allen plug.
- NOTE: After running the supercharger, the oil level will lower due to oil filling the bearings. The proper level while **not running** should be between the bottom of the sight glass and the middle and will vary when running and not running.
- Change the supercharger oil every 100,000 miles and only use **WHIPPLE SC OIL OR FORD SYNTHETIC SUPERCHARGER FLUID PART # XL-4!!**

!! CAUTION !! Severe damage to the compressor will occur if you overfill the supercharger front gear case.



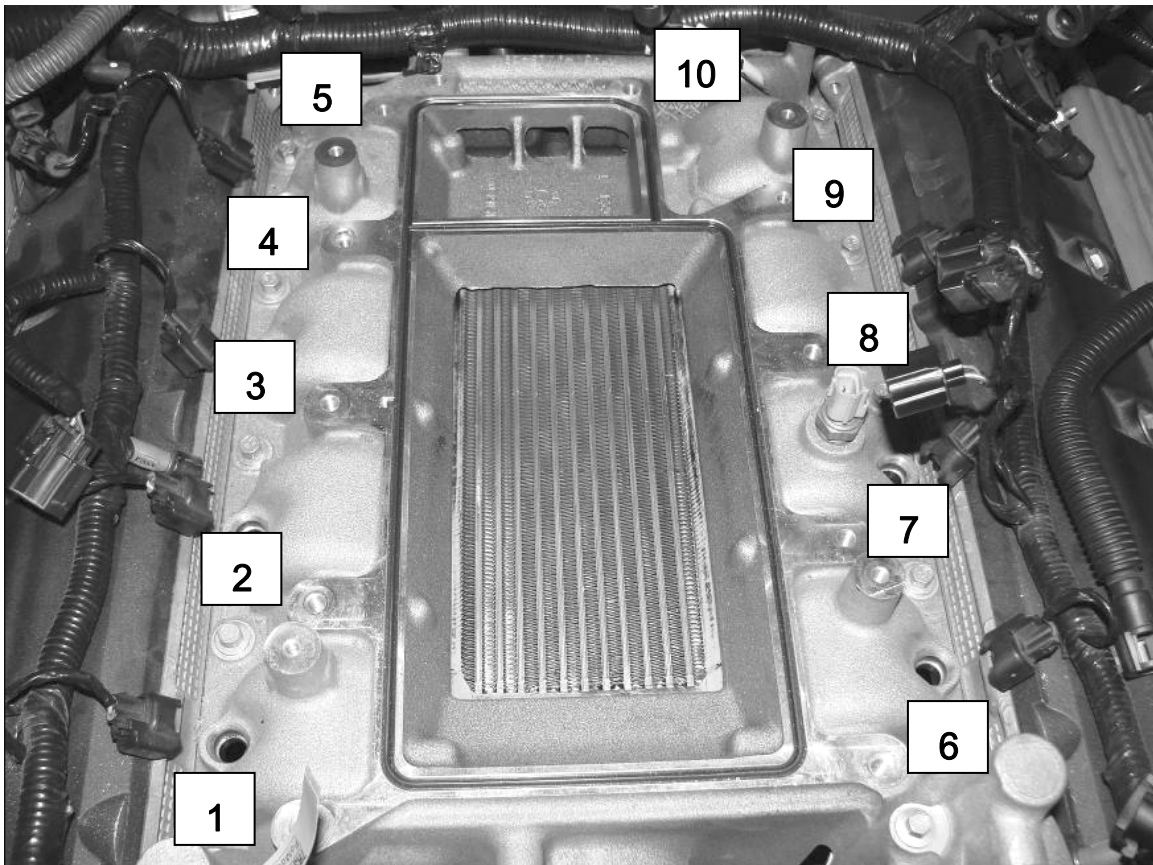


RACING
PERFORMANCE PARTS

- Carefully install the supercharger onto the top of the intake manifold. Ensure that it is fully seated on the intake manifold dowels.



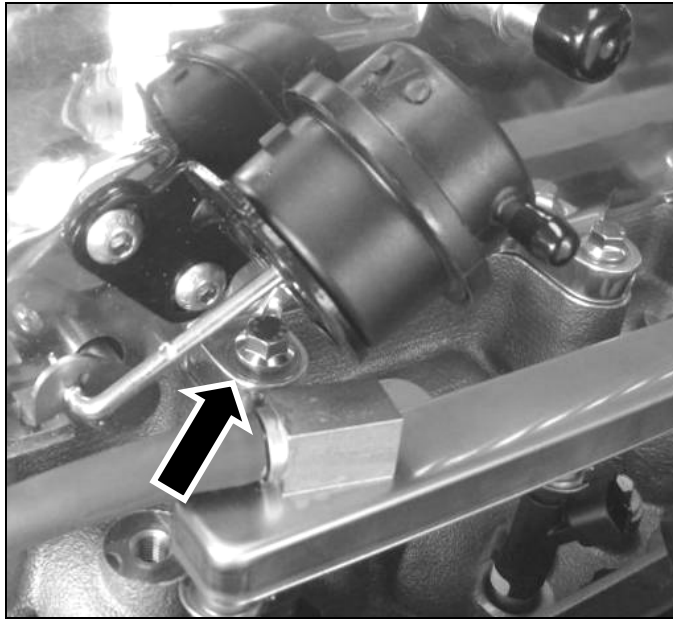
- Install the (9) M8 x 1.25 x 30 fasteners provided in the kit into holes 1, 2, 3, 5, 6, 7, 8, 9 and 10.



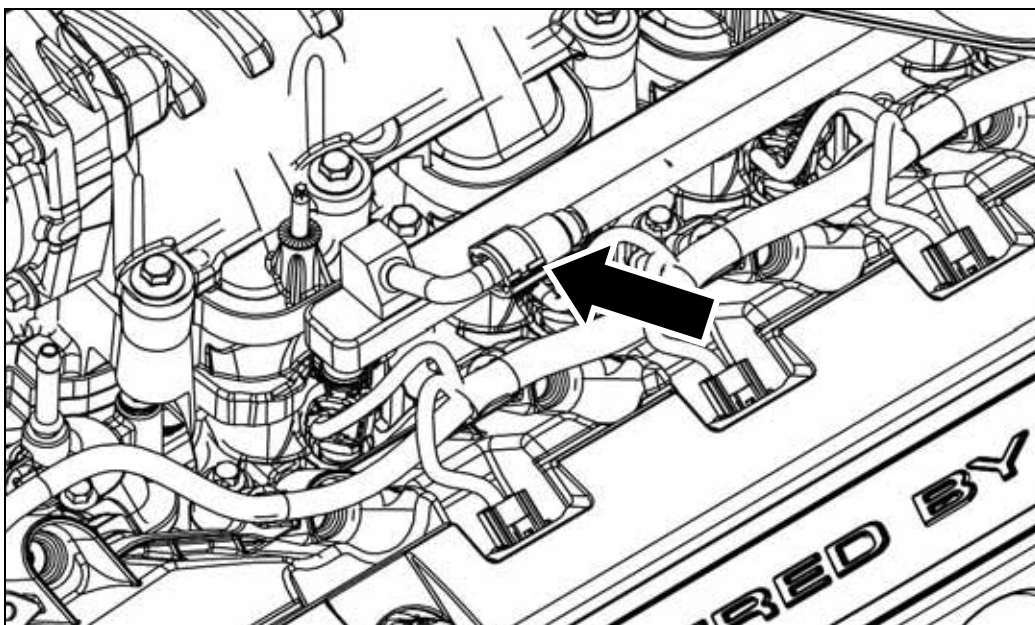


RACING
PERFORMANCE PARTS

10. Install (1) M8 x 1.25 x 25 fastener provide in the kit into hole #4 located beneath the boost bypass actuator. Use of a pair of needle nose pliers may help to place the bolt into position by inserting it between the bypass actuator bracket and the bypass actuator rod.



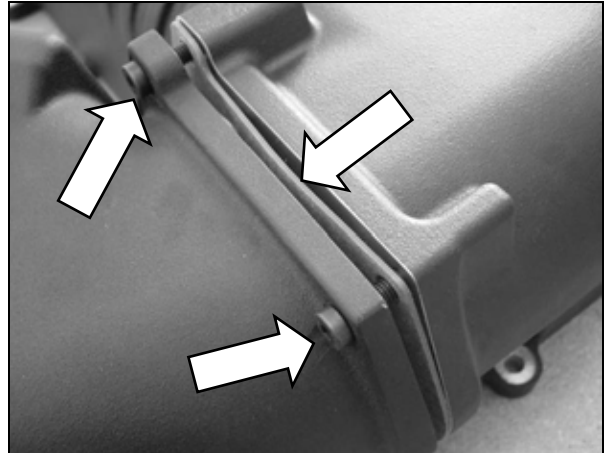
11. Torque the supercharger bolts in an inside-out, criss-cross pattern (sequence: #3-8-2-7-4-9-1-6-5-10). Torque all bolts to 20Nm. Once this is complete, complete a second pass, using the same torque sequence, and torque all bolts to 30Nm.
12. Connect the fuel inlet line to the fuel rail.





RACING
PERFORMANCE PARTS

13. Remove the vacuum caps from the throttle body spacer. Install the gasket provided between the supercharger housing and the throttle body spacer, and install the spacer to the housing using the (4) fasteners that were previously removed. Torque to 25Nm.



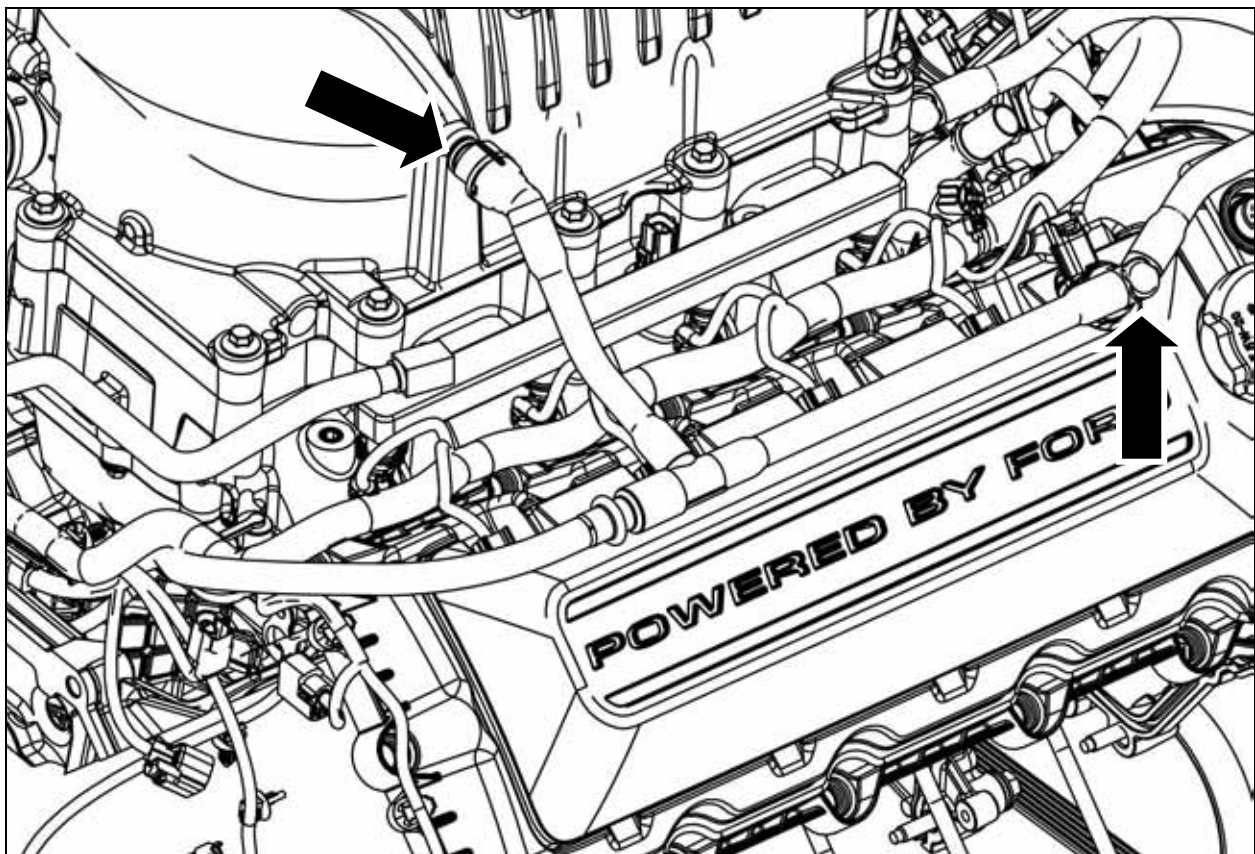
14. Connect the bypass actuator hose from the 1/4" port on the throttle body spacer to the port on the bypass actuator. Ensure that the rubber 90° elbows are fully installed on both ends.





RACING
PERFORMANCE PARTS

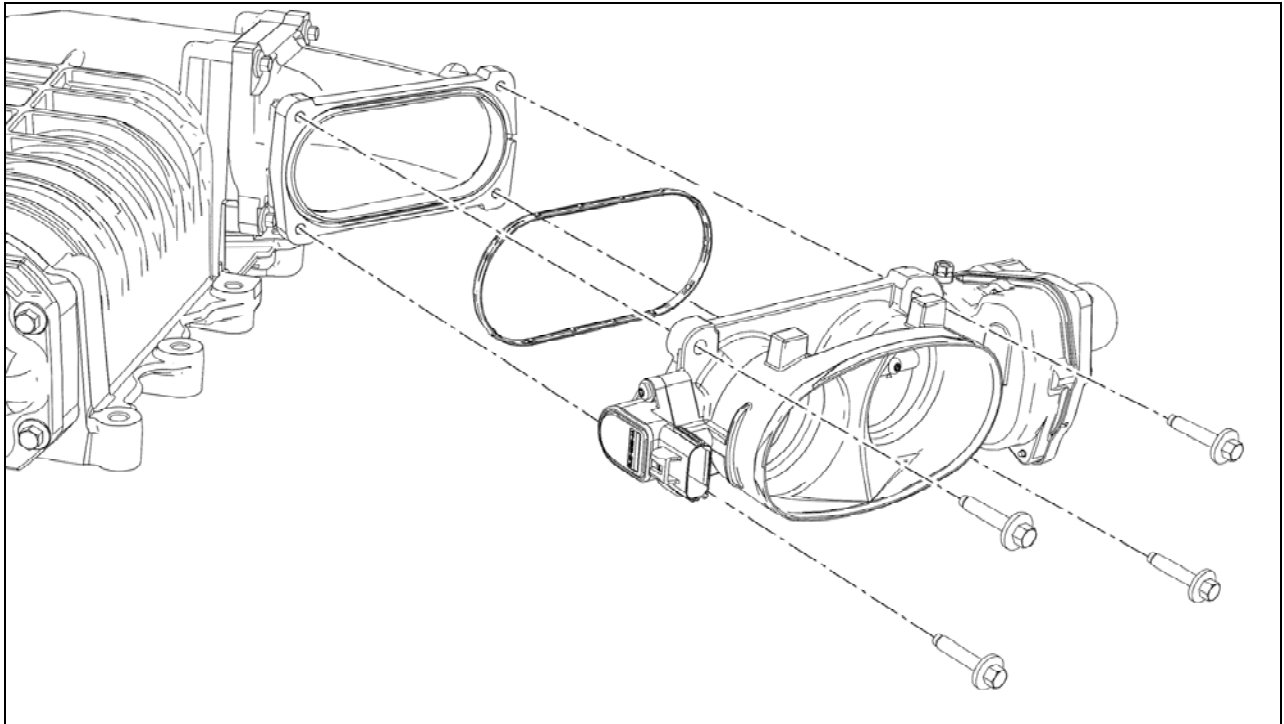
15. Connect the brake booster vacuum line to the 3/8" port on the throttle spacer.
16. Connect the new Evaporative Emission Canister Purge Valve electrical connector.
17. Install the new Evaporative Emission Canister Purge Valve Line (BR3V-9G271-CB) from the fitting below the brake booster to the relocated Purge Valve on the Throttle Body Spacer.
18. Connect the PCV Purge Line (13116K817) to the passenger side cam cover and the supercharger.



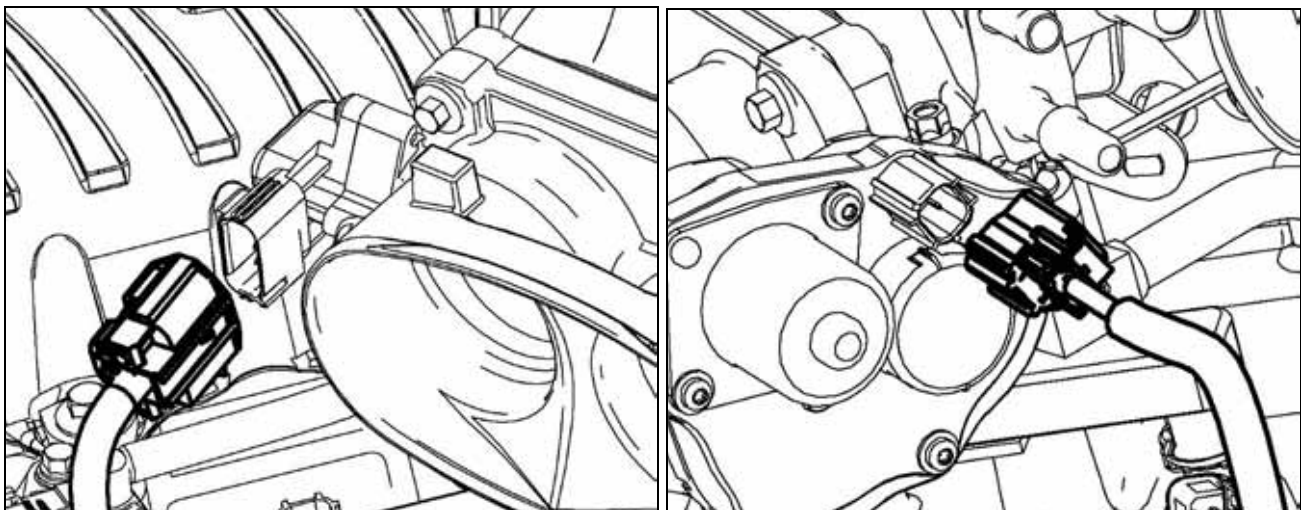


RACING
PERFORMANCE PARTS

19. Install the Throttle Body Gasket (R07060153) in the Throttle Body Spacer. Use (4) M6 x 1.0 x 32.5 mm bolts (R18020009) to secure the Throttle Body Assembly (R07060150) to the Spacer. Torque bolts to 10 Nm.



20. Connect the TPS and ETC Throttle Body electrical connectors.

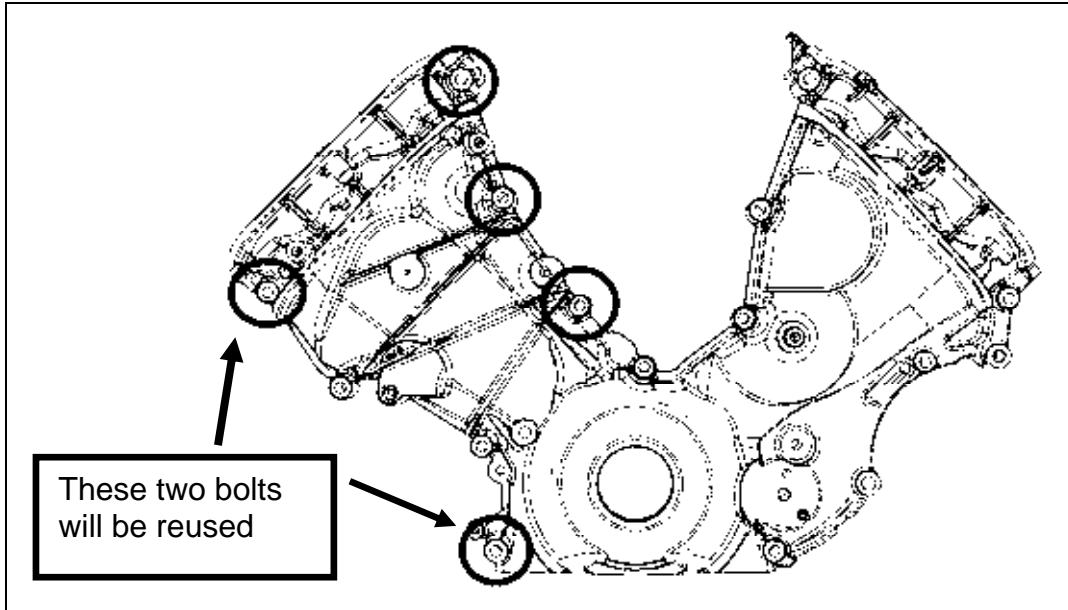




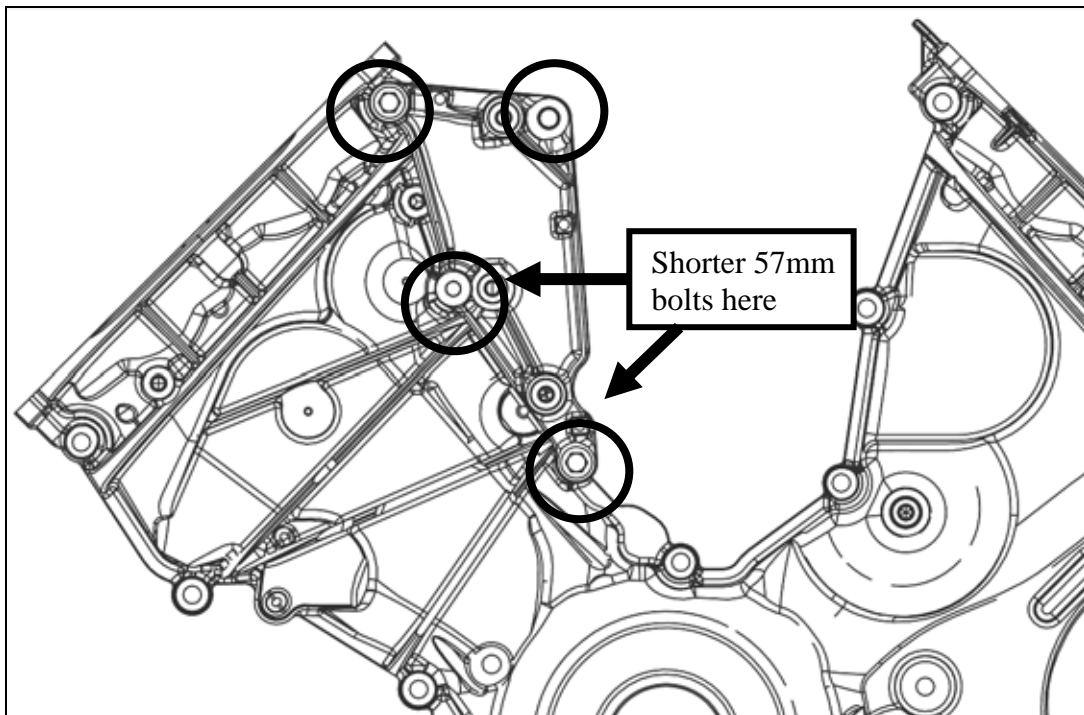
RACING
PERFORMANCE PARTS

FEAD Assembly

1. Remove the (4) bolts and (1) stud from the front cover as shown.



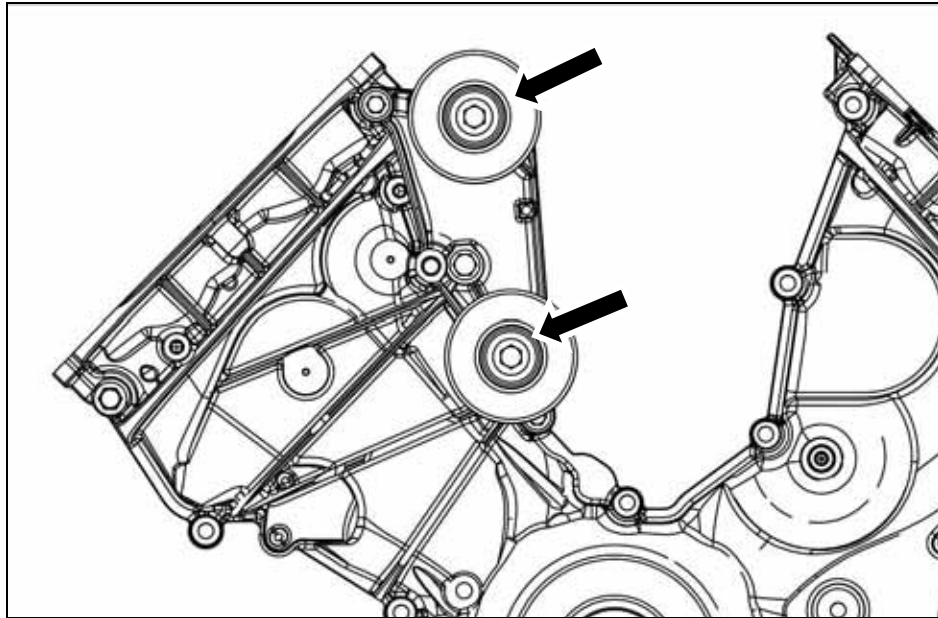
2. Install the Upper FEAD Bracket (13118B653U) using (2) M8 x 1.25 x 57mm bolts that were removed in the previous step and (2) M8 x 1.25 x 84mm bolts (W704752) from Hardware Kit C. Torque bolts to 25 Nm.



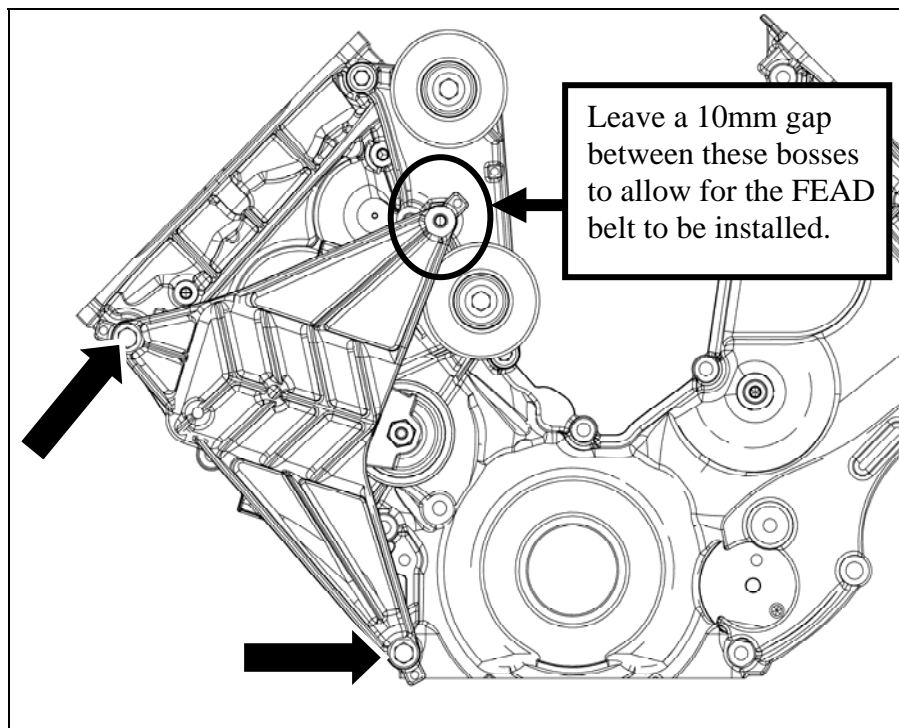


RACING
PERFORMANCE PARTS

3. Install (2) Idler Pulleys (900873) onto the machined posts of the Upper FEAD Bracket. Secure the pulleys using (2) M8 x 1.25 x 28mm idler bolts (R18020060). Torque bolts to 25 Nm.



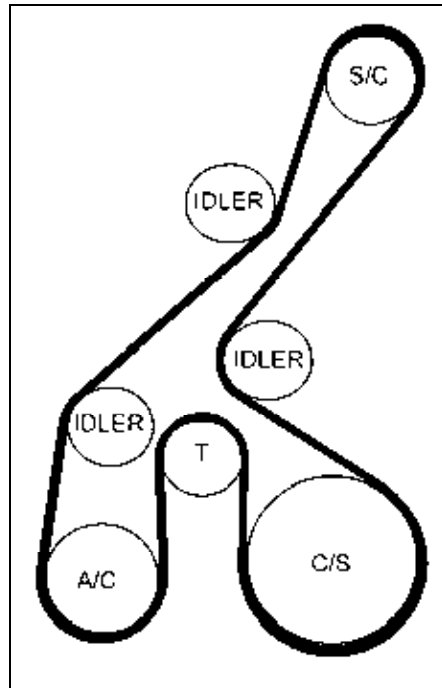
4. Loosely install the FEAD Tensioner Bracket Assembly (13118B603) onto the front cover using (2) M8 x 1.25 x 123mm (R18020055) bolts, leaving atleast a 10mm gap between the two new FEAD brackets.



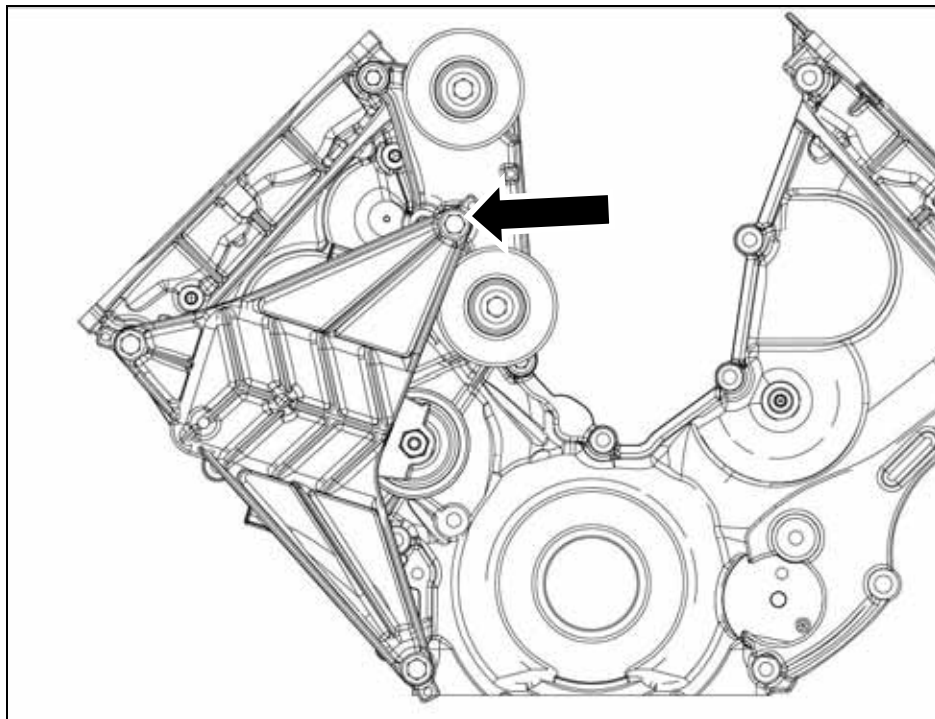


RACING
PERFORMANCE PARTS

5. Route the FEAD belt (K060825). Do not route the belt onto the supercharger pulley.



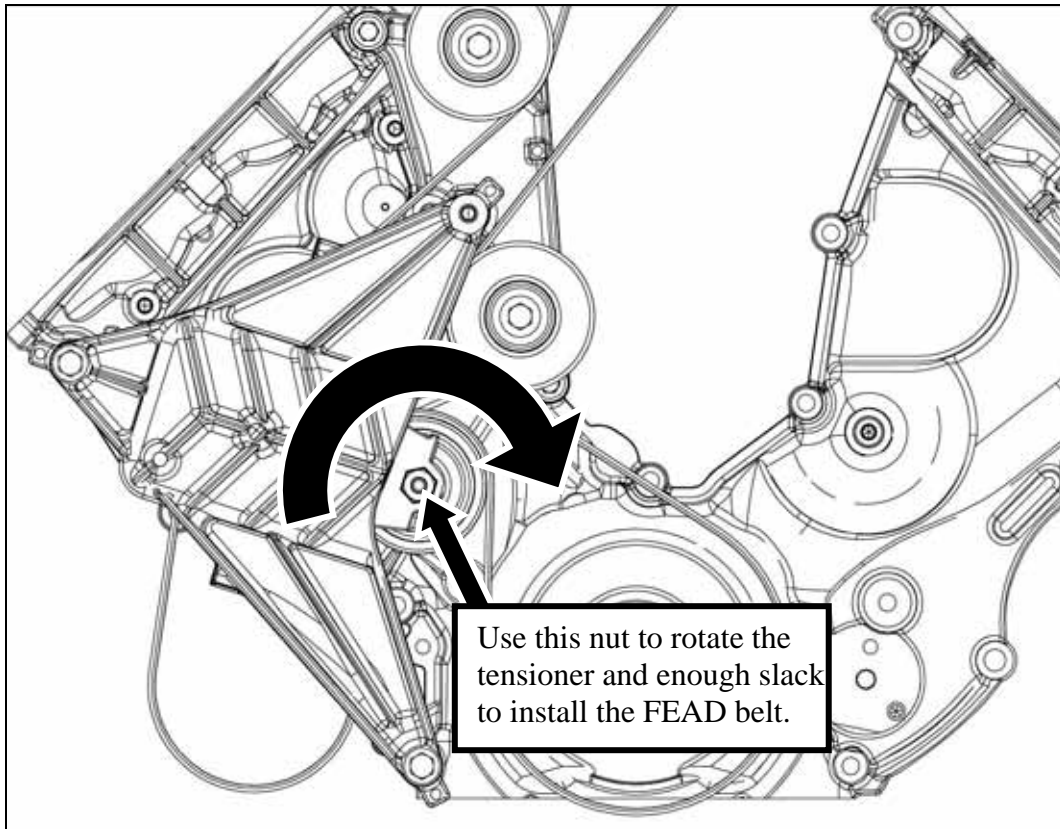
6. Install (1) M8 x 1.25 x 41mm (W705128) bolt to fasten the Tensioner Bracket to the Upper FEAD Bracket. Torque all three Tensioner Bracket bolts to 25 Nm.



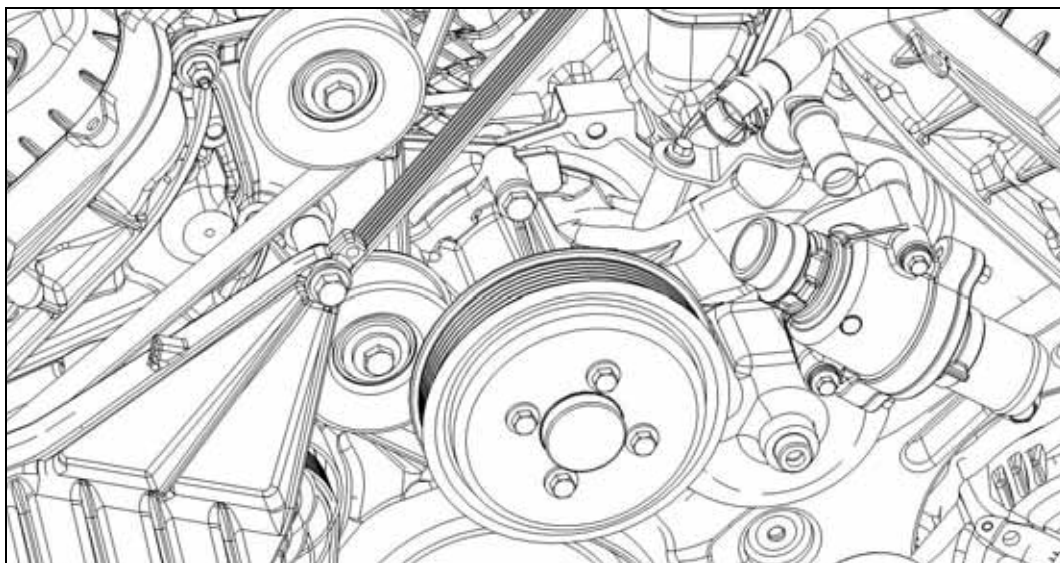


RACING
PERFORMANCE PARTS

7. Using a 17mm socket, rotate the new tensioner clockwise to install the belt on to the supercharger pulley. Inspect each pulley to ensure the belt is properly seated.



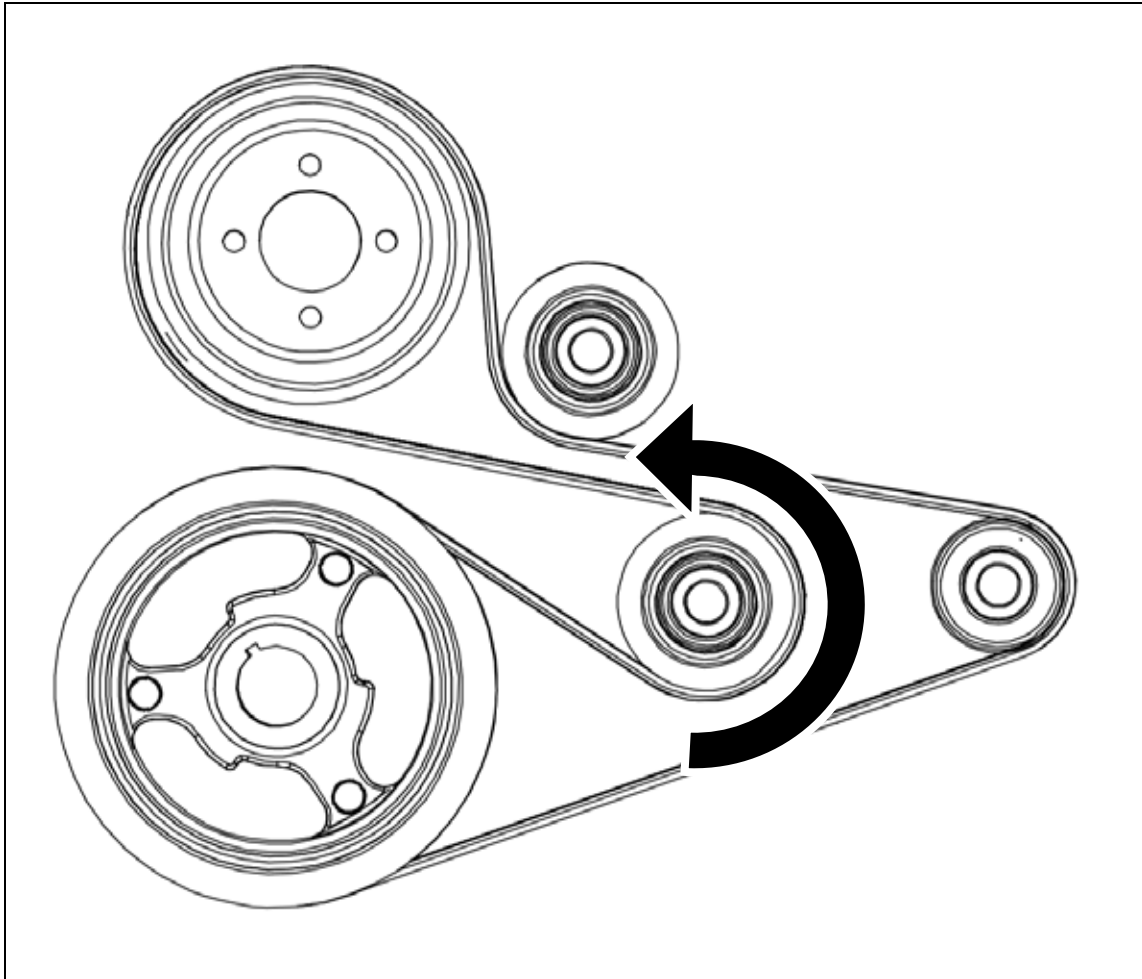
8. Re-install the Coolant Pump Pulley using the (4) take off bolts. Torque bolts to 25 Nm.





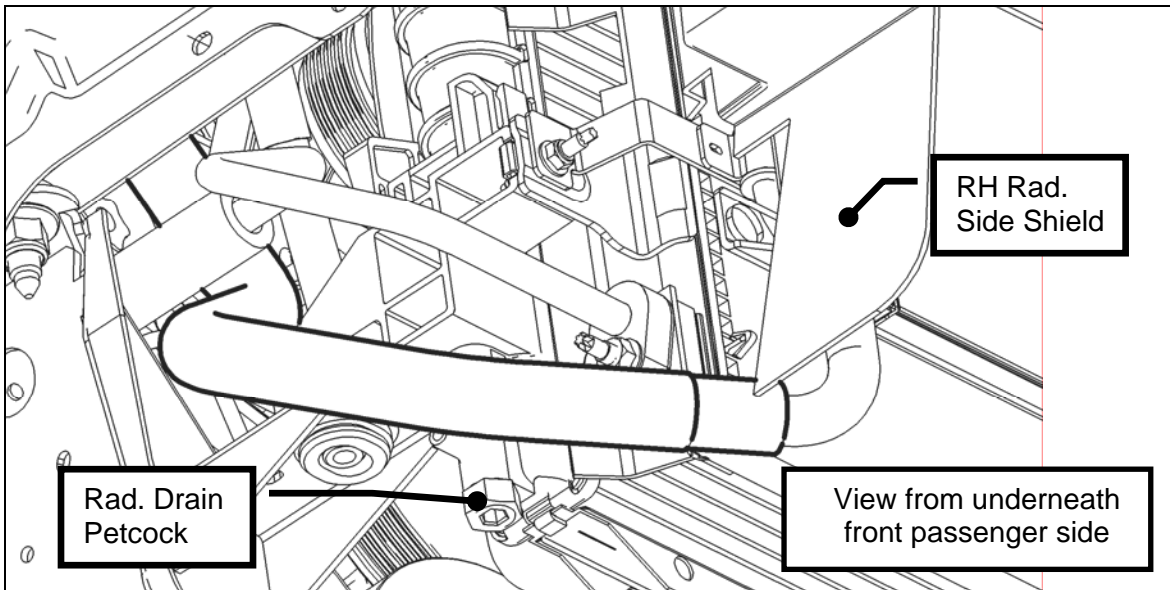
RACING
PERFORMANCE PARTS

9. Re-install the stock FEAD Belt by rotating the tensioner counter-clockwise and routing the belt as per the stock Ford belt routing.

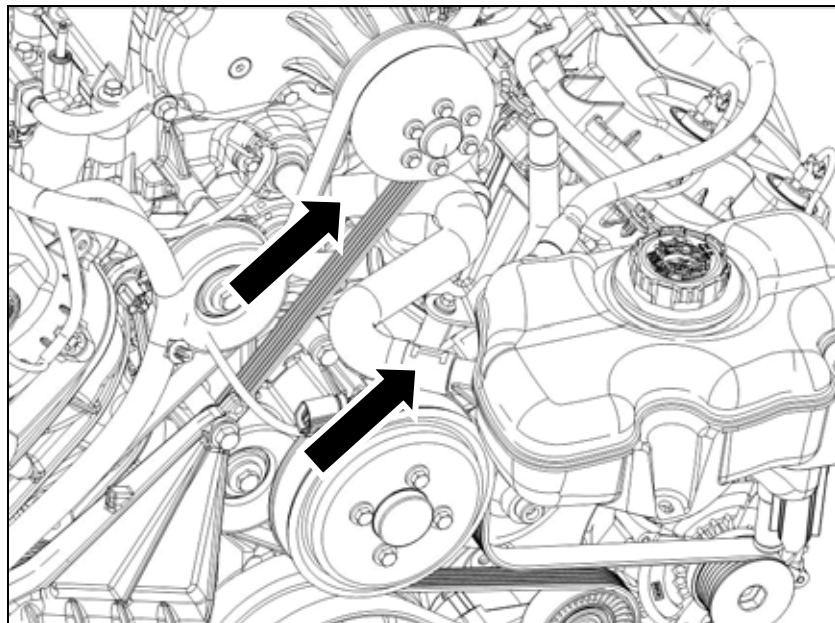


Coolant Hoses

1. Install the Intercooler LTR Outlet hose (13118D030). Route the hose from the LTR, behind the passenger side headlamp to the lower intercooler turret on the front of the intake manifold. Secure the hose using (2) $\frac{3}{4}$ " constant tension clamps. Orient the clamps so the "I" on the hose is in the center of the clamp tangs.

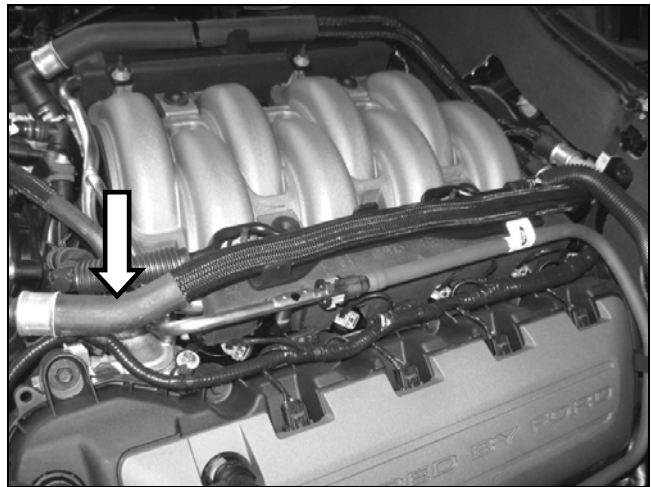
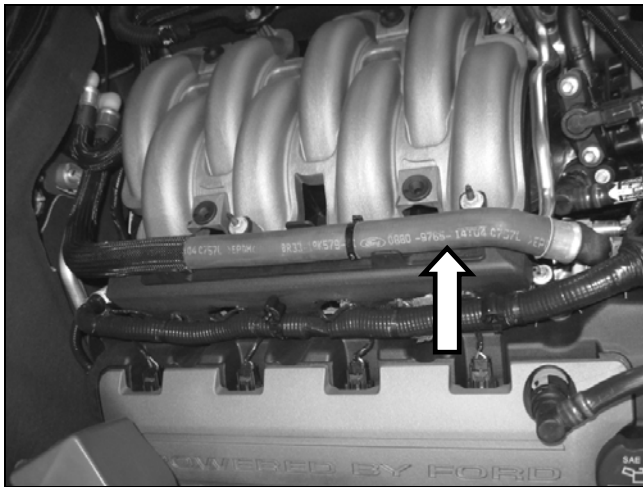


2. Install the Degas Bottle Inlet Hose (13118D031) from the upper intercooler turret to the upper degas bottle fitting using (2) $\frac{3}{4}$ " constant tension clamps. Orient the clamps so the "I" on the hose is in the center of the clamp tangs.





3. Reinstall the upper radiator hose.
4. Reinstall the factory degas bottle onto the fan shroud and torque the bolt to 10Nm.
5. Before reinstalling the factory heater feed and return hoses you must first install the protective sleeve material supplied with this kit in the areas shown below.



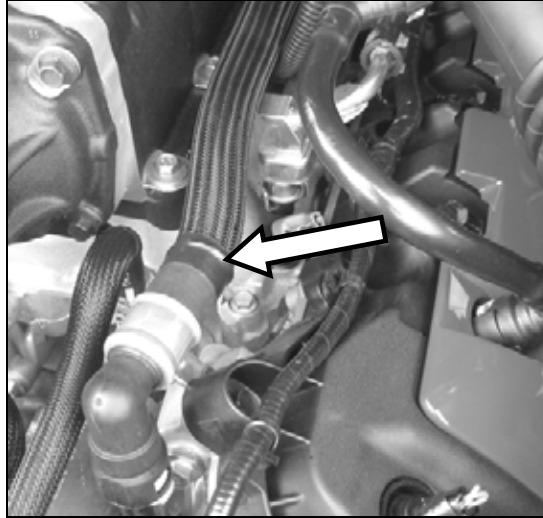
a) Install one length of protective sleeve onto the passenger side heater hose. Slide it over the quick connect fitting and along the heater hose. Apply electrical tape over either end of the protective sleeve to secure its position on the hose.



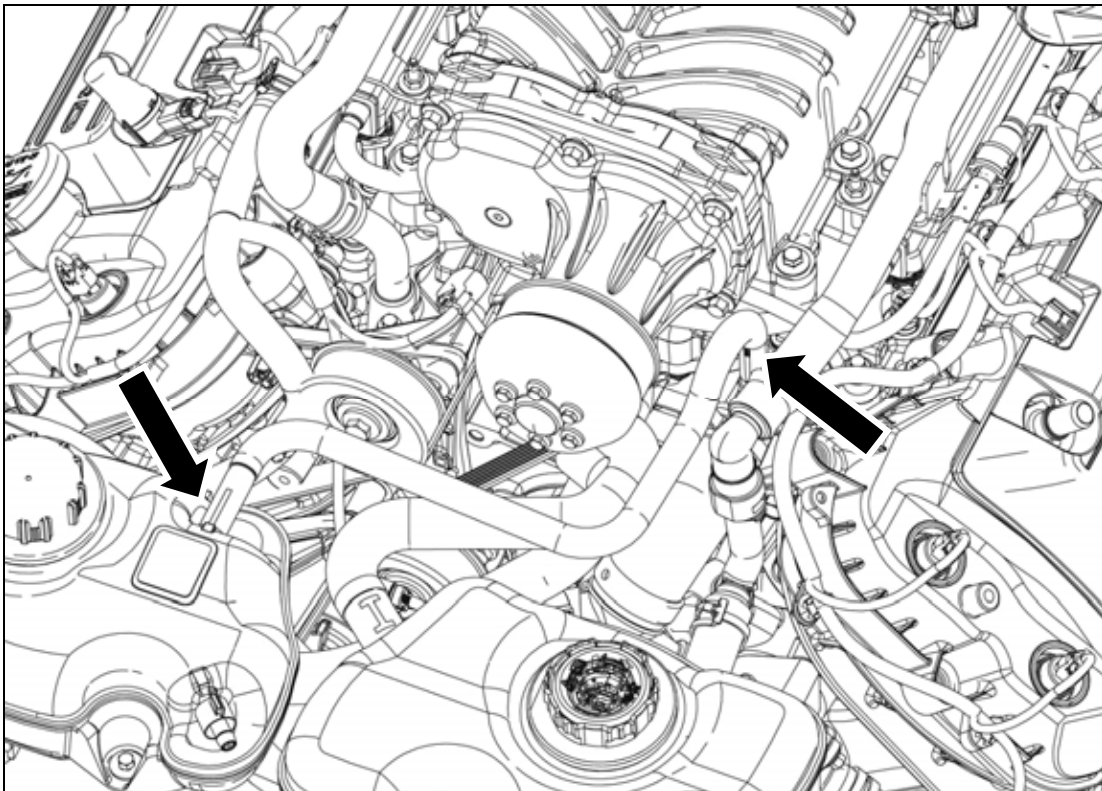


RACING
PERFORMANCE PARTS

b) Install the second length of protective sleeve over the quick connect fitting and along the heater hose on the drivers side. Apply electrical tape over either end of the protective sleeve to secure its position on the hose.



6. Install the 3/8" Engine Bottle Degas Hose (13118276) from the engine degas bottle to the fitting on the driver side cylinder head. Secure with the constant tension clamps removed from the factory hose. **Ensure both 3/4" intercooler hoses, the degas hose and all clamps and wiring have been installed to provide maximum clearance to the supercharger belt.**

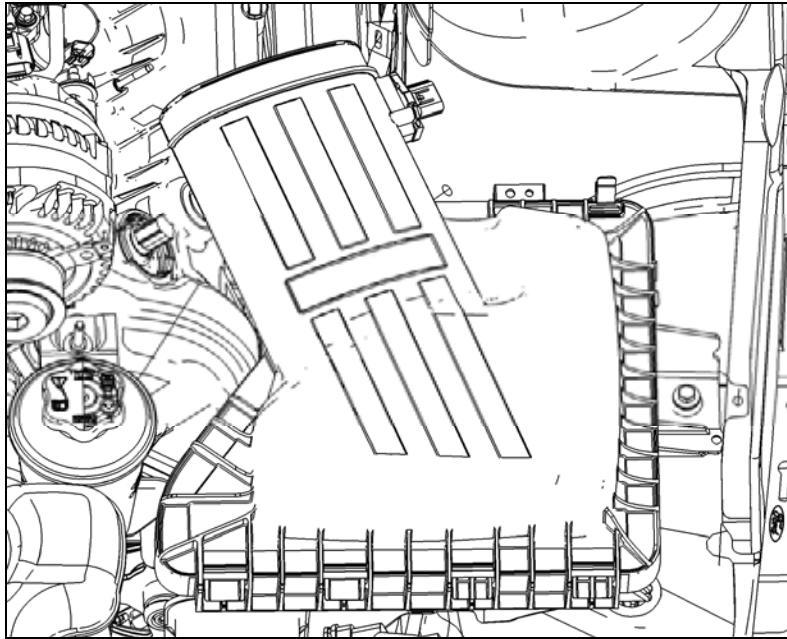




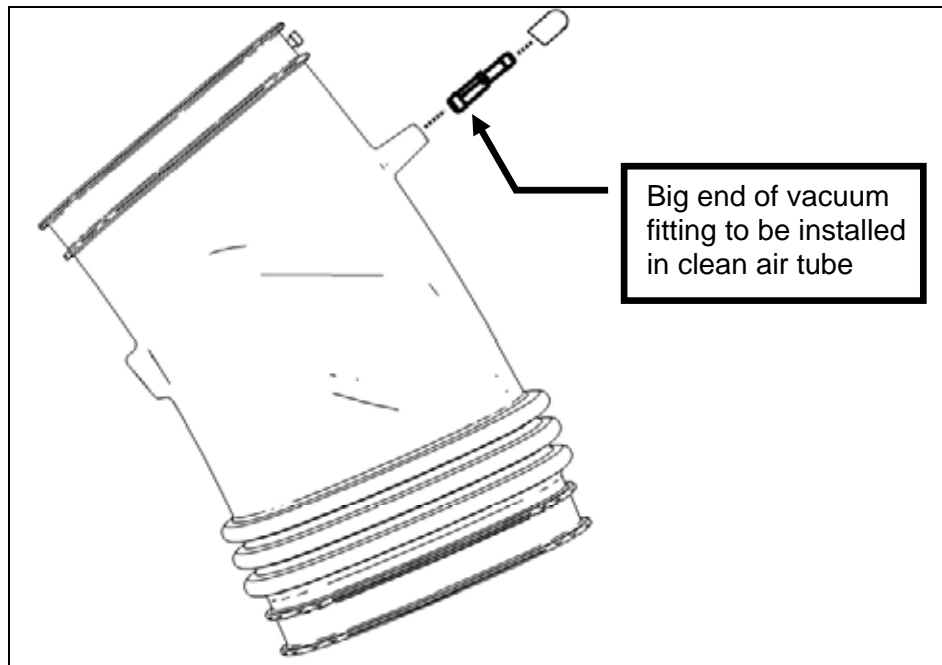
RACING
PERFORMANCE PARTS

Air Induction System

1. Install the Upper Airbox Lid (13119643NLHC) onto the lower airbox using the factory clips. Connect the MAF wiring harness to the MAF sensor.



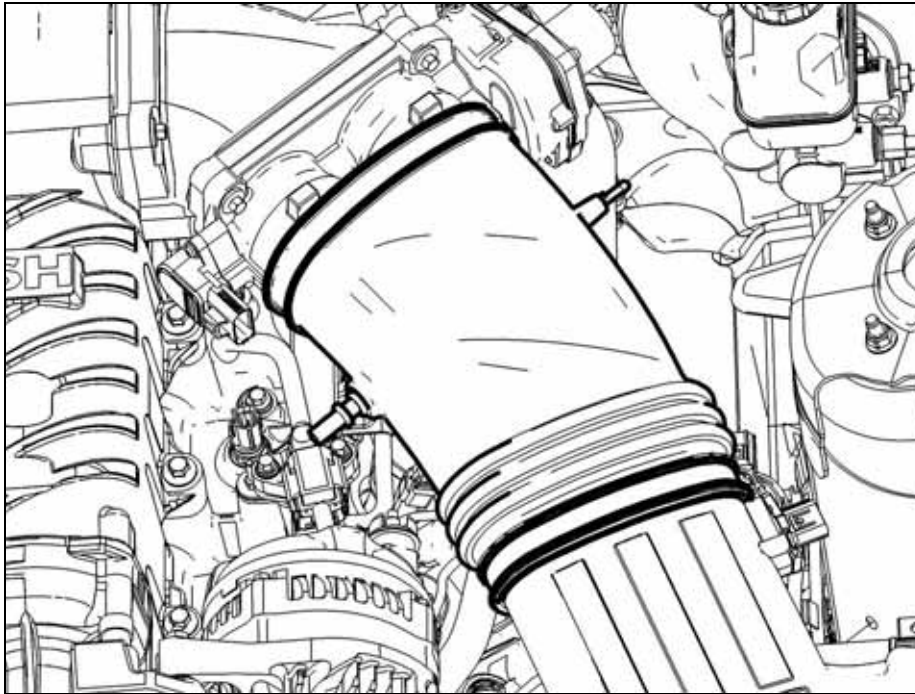
2. Insert the Vacuum Fitting (383004-S) and the ¼" Vacuum Cap (CS515) from Hardware Kit A into the Clean Air Tube (13119B659) in the orientation shown.



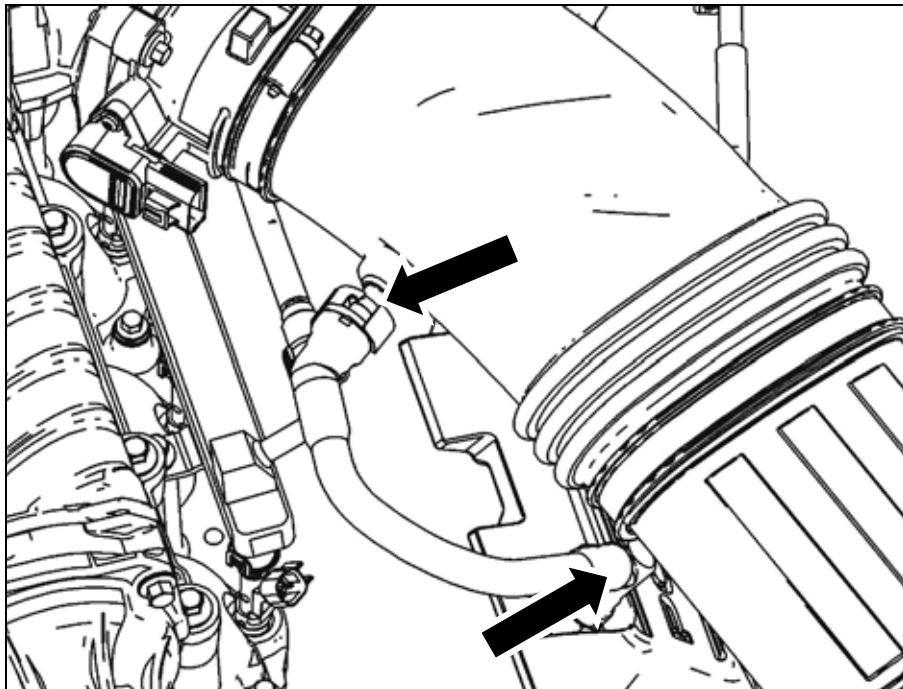


RACING
PERFORMANCE PARTS

3. Install the Clean Air Tube in the vehicle using (2) hose clamps (R07130015) from Hardware Kit A. Torque clamps to 3 Nm.



4. Install the PCV Fresh Air Inlet tube (13116758) by connecting the 90 deg fitting to the driver side cam cover and angled fitting to the PCV fitting in the clean air tube.





Final Assembly

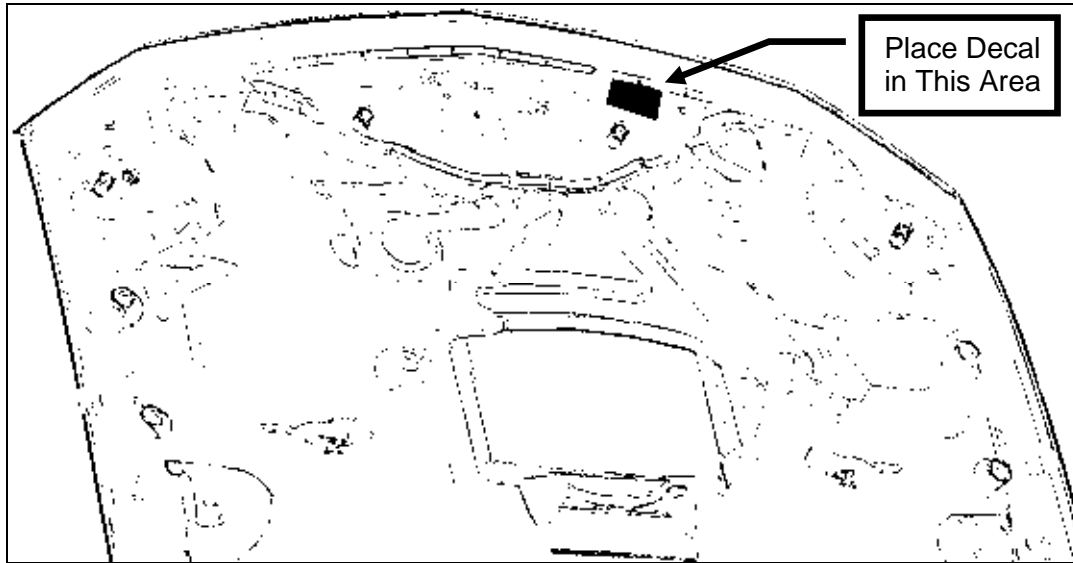
1. Fill the engine cooling system (using a proper coolant mixture) to the marked level on the radiator degas bottle.
2. Using the same coolant mixture, fill the intercooler system. The coolant should be approximately one inch below the top of the cap.

Important: Both coolant systems can trap a large amount of air. It is very important to verify that the air is purged and that coolant is flowing properly through both systems. Ford Racing recommends vacuum filling both systems to properly evacuate the trapped air.

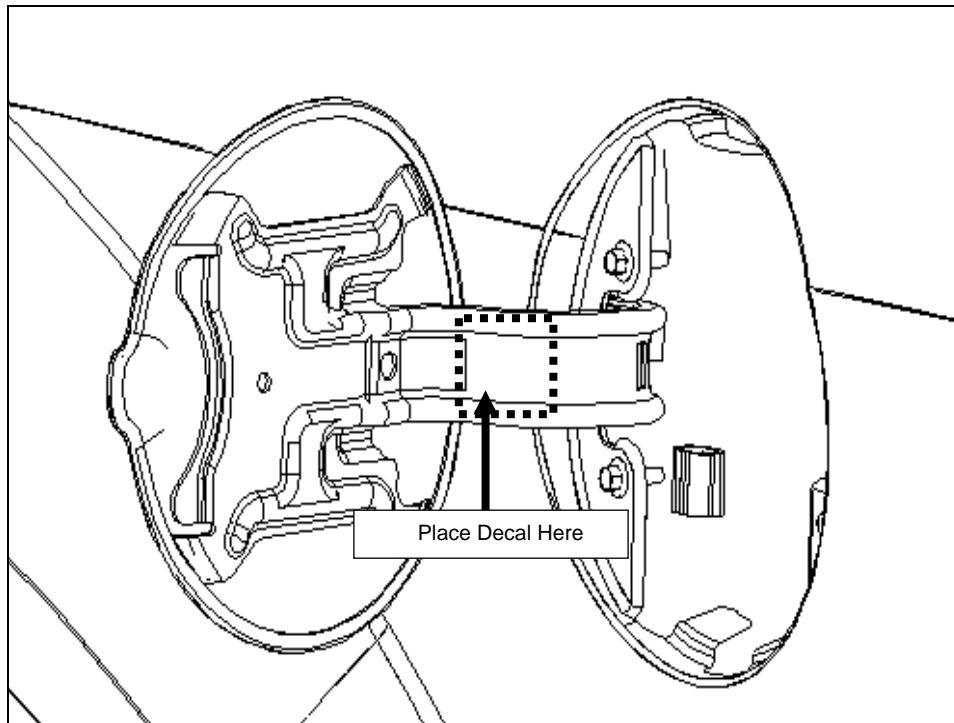
3. Fill the supercharger with the Supercharger Oil provided.
4. Reinstall front bumper cover, lower close-out panel and inner fenders by reversing the removal procedures.
5. Reinstall the front wheels/tires. Torque wheel lugs to the factory Ford specifications.
6. Inspect all underhood wiring harnesses for potential interference issues. Use zip ties to safely position the harness away from any areas of concern.
7. Reinstall the radiator trim cover by reversing the removal instructions.
8. Reinstall the battery connections by connecting the positive cable first then connecting the negative cable.
9. Reconnect the fuel pump control module electrical connector located in the spare tire stowage compartment.
10. In order to complete the installation of this kit, you must have the ProCal II Flash Tool. (See **Important Notes** on the front cover of this document) The instructions for tool operation will be included with the ProCal II Flash Tool. Please read these instructions in their entirety prior to beginning the re-flash procedure. **DO NOT DRIVE THE VEHICLE UNTIL THE PROGRAMING OPERATION HAS BEEN COMPLETED SUCCESSFULLY. OPERATING THE ENGINE WITHOUT THE PCM RECALIBRATION WILL RESULT IN ENGINE DAMAGE OR FAILURE AND WILL VOID THE WARRANTY.**
11. Once the re-flash procedure has been successfully completed, start the engine and check for unusual noises, dash service lights, and unusual operation. If problems are detected, immediately stop the engine or vehicle, diagnose and repair the problem.



12. The Belt Routing Diagram (13116E072) is to be placed on the underside of the hood, on the driver side, opposite of the factory Vehicle Emission Control Information decal.

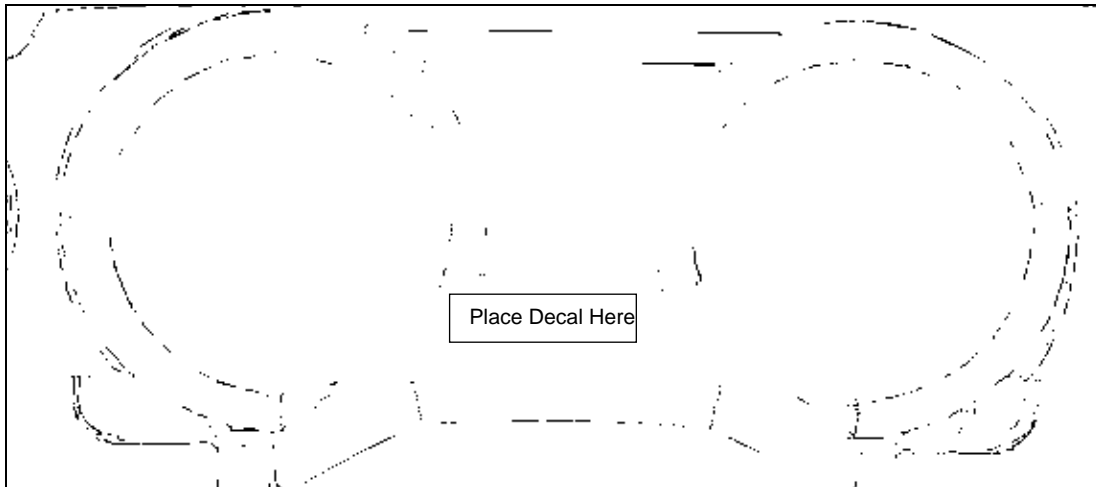


13. Place the "Premium Fuel" white decal with black lettering on the arm door of the fuel filler door as shown.





14. Place the "Premium Fuel" clear decal with white lettering on the instrument cluster bezel, on the flat area below the small center gauges as shown.



15. The E.O. Label is to be placed on driver side strut tower, adjacent to the air filter assembly.

